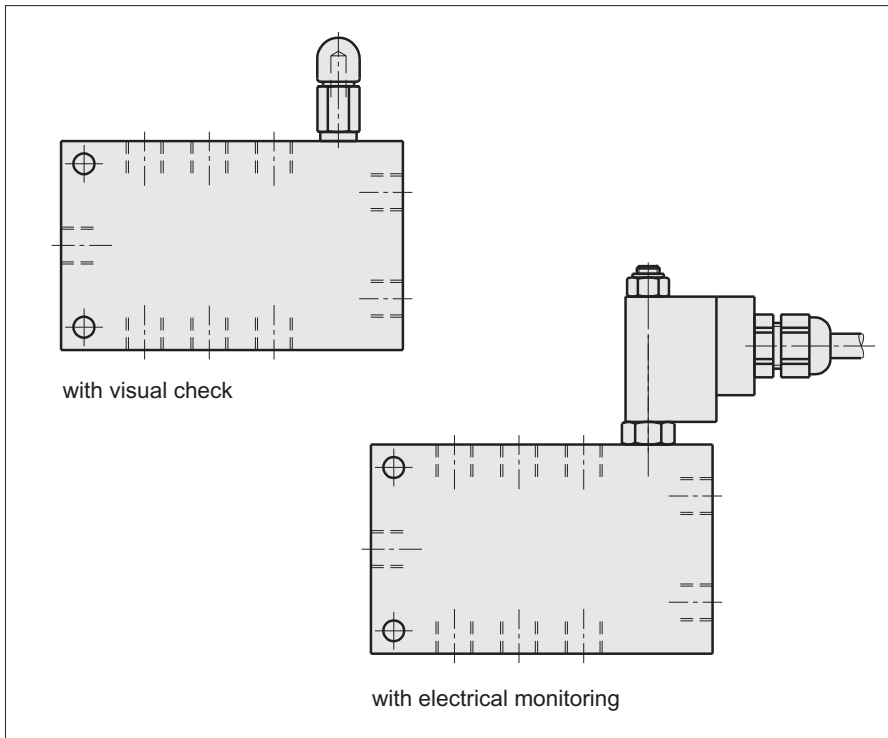
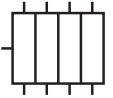




**Progressive distributor
VPB-G**



with visual check

with electrical monitoring

Use:

In progressive mode based central lubrication systems.

Technical data:

Proportioning volume per cycle and outlet: 0,09 or 0,20 cm³

Lubrication point connections: 6 or 8

Operating pressure at max.: 150 bar

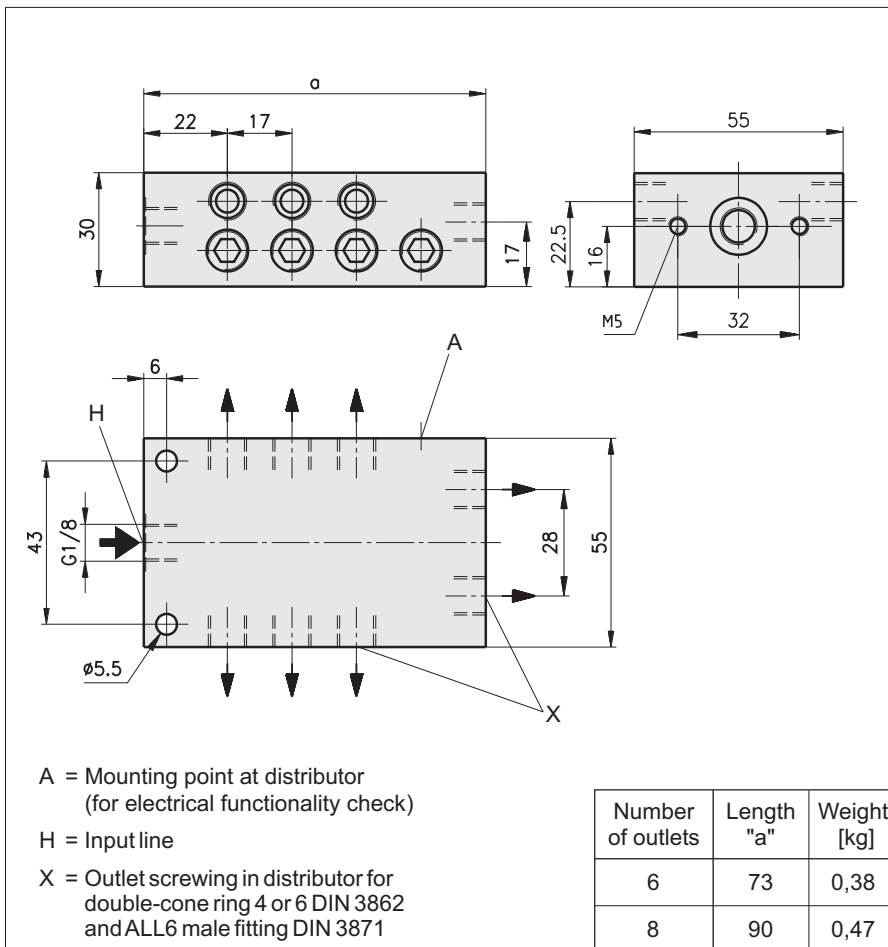
Throughput volume in case of
Oil at max.: 700 cm³/min
Grease at max.: 70 cm³/min

Delivery medium
Oil viscosity as of approx. 140 cP
(corresponds to ISO VG46 at 20°C)
Grease at max.: NLGI category 2
In case of oil, proportioning accuracy depends on viscosity, flow resistance at the outlets, and delivery speed.

Material
Outer body: Aluminium
Internal parts: Steel
Sealing material: FPM

Temperature range: -20 ... +80 °C

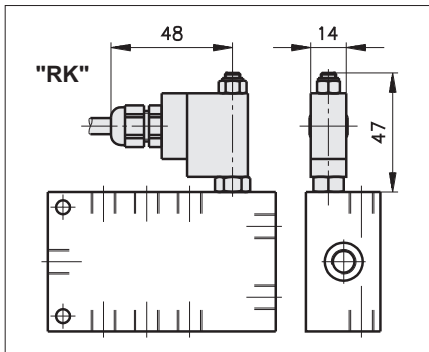
Mounting position: usually as needed
Note: In case of heavy vibration or shock load, install the distributor such that piston axes are situated vertically to the main direction of shock impact.



- A = Mounting point at distributor (for electrical functionality check)
- H = Input line
- X = Outlet screwing in distributor for double-cone ring 4 or 6 DIN 3862 and ALL6 male fitting DIN 3871

Number of outlets	Length "a"	Weight [kg]
6	73	0,38
8	90	0,47

- Subject to modifications -

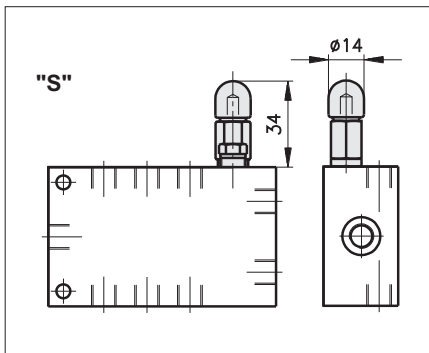

Functional checks:
with reed contact "RK":
Version with cable:

A magnet connected with the piston switches a reed contact once per cycle.

 Switching voltage: 10 ... 36 VUC
 Switching current at max: 25 mA
 Switching power at max: 0,9 VA
 Ambient temperature: -5 ... +80 °C

 Material (receptacle): PA or 1.4305
 System of protection: IP65
 Cable
 Length: 10 m
 Cross section: 2x0,75 mm²
 Material: Oelflex

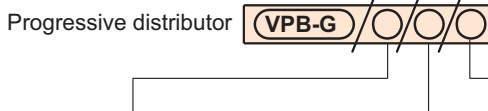
Connection diagram: BN ——— 100 R ——— BU


with visual check "S":

In a translucent polyamide receptacle, a red pin being fixed to the piston shows the piston's movement.

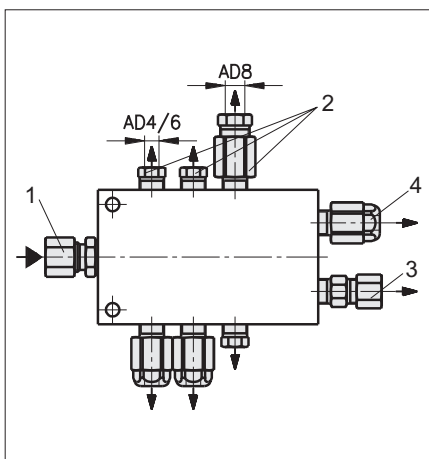
 Receptacle material: Polyamide, translucent
 Ambient temperature: -10 ... +80 °C
 Weight: 0,035 kg
 Mounting point at distributor: A or B

¹⁾ Functional checks are possible at proportioning volumes of 0,20 cm³ only

Purchase-designation:


Number of outlets	Functional check ¹⁾	Proportioning volume per cycle and outlet
6	without (0) Visual check (S)	0,09 cm ³ (09)
8	Reed contact with cable (RK)	0,20 cm ³ (20)

Purchase-example:

 Progressive distributor VPB-G with 8 outlets, with reed contact and cable, proportioning volume 0,20 cm³
Purchase-designation:
VPB-G / 8 / RK / 20

Auxiliaries:
Item Designation:
Order-no.:
Inlet screwings:

 1 - Pipe screwing
 Pipe AD 4: 951.100-04
 Pipe AD 6: 951.103-63
 Pipe AD 8: 951.100-06

Outlet screwings:

 2 - Threaded components
 Pipe AD 4: 205.533-65
 Pipe AD 6: 205.532-65
 Pipe AD 8: 505.149-65

Item Designation:
Order-no.:

3 - Check valve

 Pipe AD 4: 501.078-65
 Pipe AD 6: 501.077-65

Technical data see leaflet P0319

4 - Plug-in connection (60 bar)

 for polyamide pipes (PA11/12h and w)
 Pipe AD 6: 505.150-65

Technical data see leaflet P0330