

Single-line distributor
VEB-D



Application:

In single-line centralized lubrication systems for lubricant metering

- Single-line distributor in base plate construction
- Compactity and economy of space
- Metering elements in 7 metering sizes
- Simple change of the metering volume
- Simple mounting
- Metering elements exchangeable without loosening of the tube lines
- Rust-proof due to aluminium

Technical data:

Operating pressure	
max.:	45 bar
min.:	Outlet pressure +16 bar
Relief pressure:	< 1,2 bar
Lubricant:	Mineral oil
Viscosity:	up to 3000 mm ² /s
Temperature range	
at sealing material	
Perbunan:	-20 ... +80 °C
Viton:	-20 ... +160 °C

Weights:	
VEB-D/2	2 outlets 0,19 kg
VEB-D/4	4 outlets 0,30 kg
VEB-D/6	6 outlets 0,43 kg

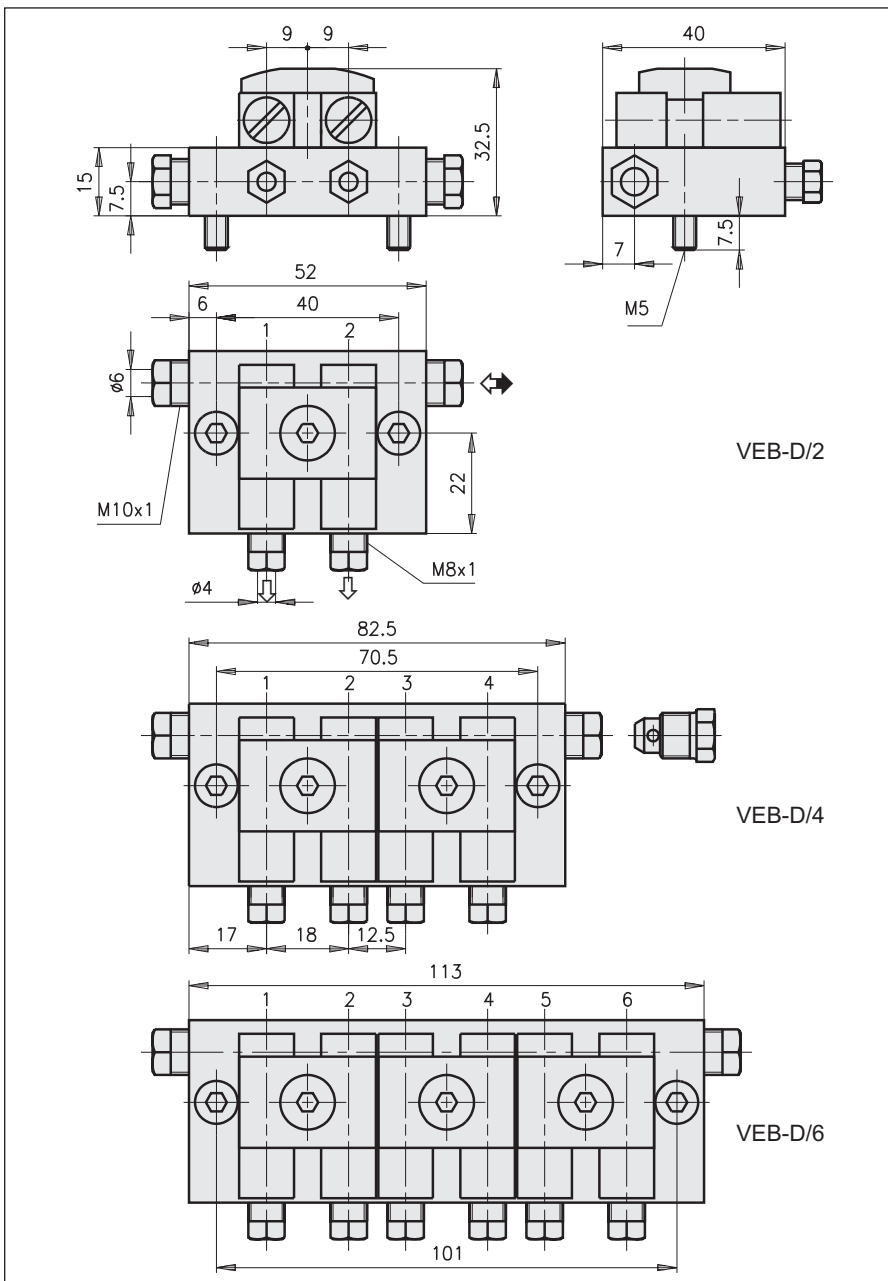
Instruction to dimensional drawing:

Tube connections ALL - DIN 3871

- ↔ Main line
- ⇐ to lubricating line

Closing and venting of the main line by hollow screw.

- Subject to modifications -

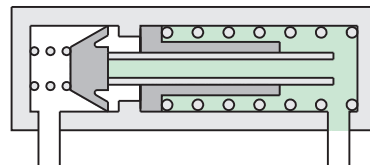




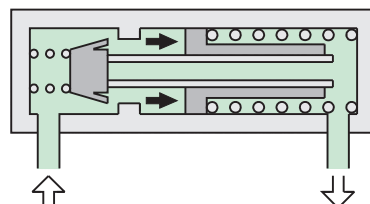
Purchase-designation:
Single-line distributor VEB-D / 1 / 2 / 3 / 4 / ...

Number of outlets	Main line connection	Metering volume of the elements [mm³]	Sealing material
②	①	11 ① 110 ⑤	NBR (Perbunan)
④	on both sides ②	22 ② 170 ⑥	Ⓟ
⑥	on one side	34 ③ 230 ⑦	FPM (Viton)
		57 ④ without ①	Ⓥ
			(Dummy)

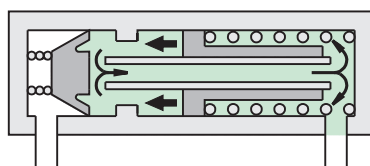
Functional scheme:



Idle position



Lubricant delivery and pressure build-up. Proportioned lubricant volume is allocated to.



Pressure relief in inlet. The lubricant in the metering element is shifted.

Purchase-designation: Connection plate AEB-A

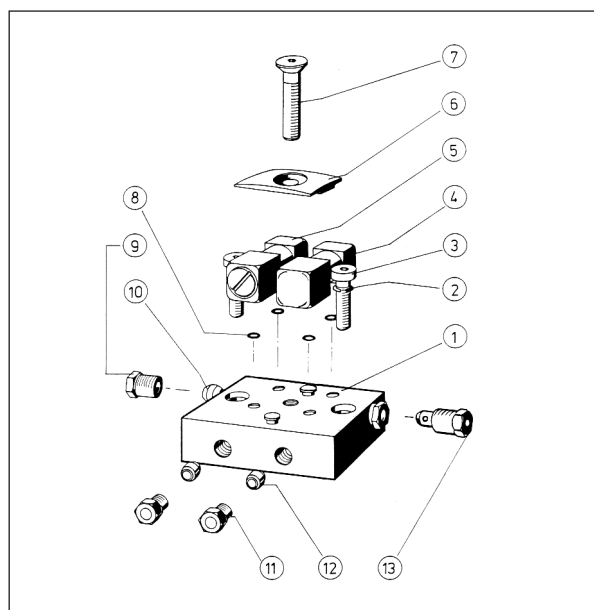
Purchase-designation: Metering element DEB-D

Purchase-example:

Single-line distributor with 4 outlets, main line connections on both sides, metering volume 22; 34; 110; 230 mm³, sealing material Perbunan.

Purchase-designation:
VEB-D/4/1/2/3/5/7/P

- Subject to modifications -



Spare parts

Item	Designation	Order-no.
1	Connection plate AEB-A incl. item 2, 3, 6, 7, a. 9, 13	see order-designation
2	Spring washer 5 DIN 7980	807.980-02
3	Cylindrical screw M5x20 DIN 912	800.912-A7
4	Dummy DEB-D/O/.. incl. item 8	see order-designation
5	Metering element DEB-D/./.. incl. item 8	see order-designation
6	Clamp	160.207-45
7	Countersunk screw	807.991-12
8	O-Ring 2,5x1,2 Perbunan Viton	915.200-09 915.200-10
9	Union screw	803.871-03
10	Dopple-cone ring	953.300-02
11	Union screw	803.871-01
12	Dopple-cone ring	953.300-01
13	Hollow screw	954.102-45