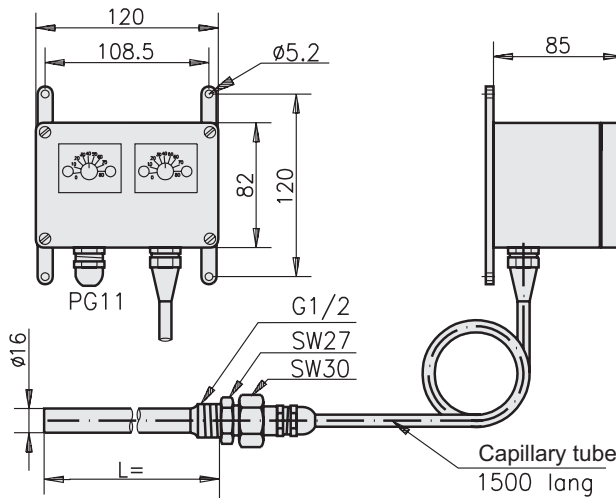




2 functions - housing size B



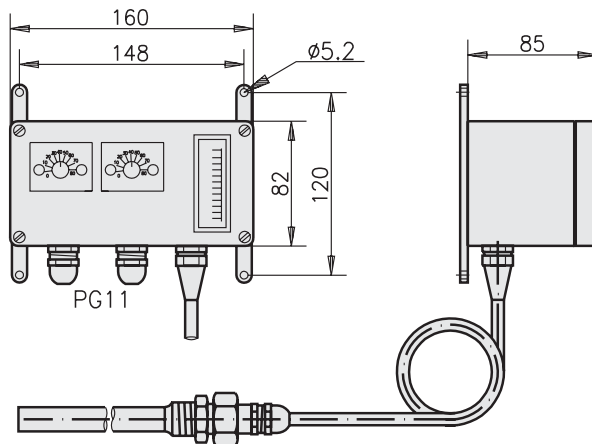
Thermo Regulator KTR-F

- Regulation and monitoring of temperatures
- Optionally with temperature indication
- Up to a maximum of 7 functions in one device

Function:

The thermostates work on the principle of liquid expansion. The system is composed of sensor, capillary tube and membrane. When heating up the sensor the expansive liquid is displaced by the capillary tube into the membrane activating there a working stroke. This working stroke actuates the snap switch effecting the opening and closing of the potential-free contact.

3 functions - housing size C



Regulator and display have separate systems, which are placed together in one protective sleeve.

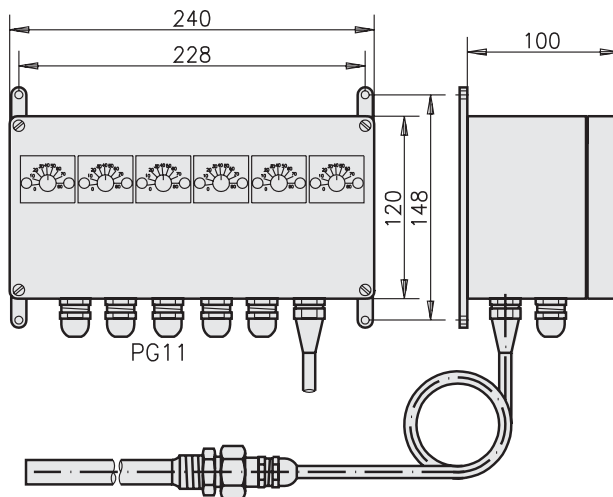
The casing can be mounted separately from the dip sleeve. The dip sleeve is connected with the casing through a metallic protection hose with PVC enclosure.

The housing cap is transparent. For the electrical connection the housing cap (4 screws) and the front plate (1 screw) have to be detached.

Technical Data - General:

Protection type:	IP 65
Ambient temperature:	-40...+80°C
Operating pressure max.:	16 bar
Material: Housing	makrolon
Immersion shell	brass CuZn37F38
Immersion shell high steel	1.4301
Electr. connection	flat plug 6,3x0,8 (DIN46244)

4 and up to 7 functions - housing size D



Thermostat: T5

Contact material:	silver
Switching voltage max.:	250 VUC
Switching current max.:	16A-AC; 4A-DC
Switch precision:*	±3 °C
Switch difference max.:*	5 °C
Regulation range:	0...80 °C

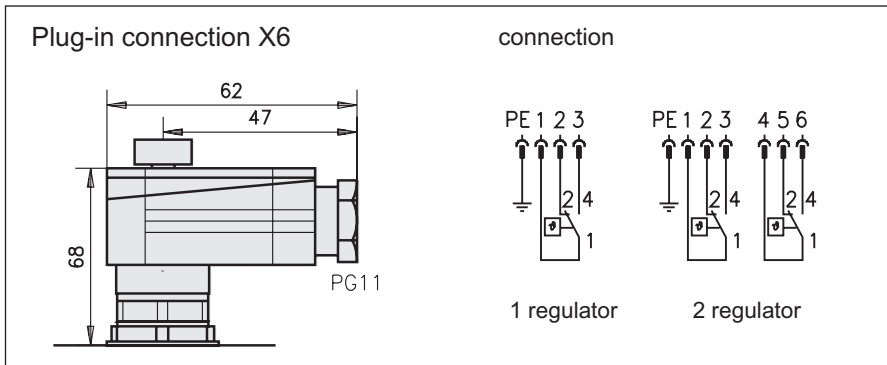
Temperature display: TA

Measuring range:	0...120 °C
Calibration:	±2 °C at 70 °C

* Switching accuracy:

The given accuracy data are related to an ambient temperature of 25°C for the thermostat casing and to a temperature changing speed of the medium of ≤0,5°C/min.

- Subject to modifications -



Plug-in connection: X6

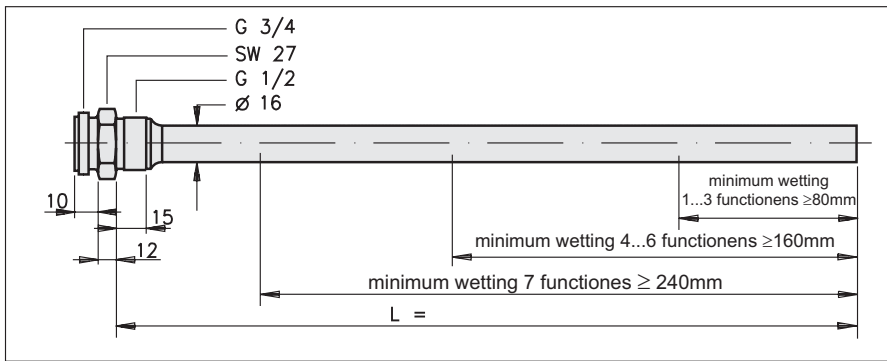
6pol.+PE DIN 43651

Delivery includes cable socket, internally wired. For max two thermostates ohne plug-in connection set is necessary.

Order for example:

Thermo regulator for two thermostates with contact silver, 1 indicator, submerged sleeve brass L=300 and plug-in connection X6.

KTR-F/3/M300/T5/T5/TA/X6



Order designation:

Thermo regulator



Number of functions	Submerged length L=	Functiones							Plug-in connection
		location 1	location 2	location 3	location 4	location 5	location 6	location 7	
Housing	brass M	T5	Thermostate with contact silver	0...80 °C hysteresis	5°C				X6 DIN 43651
	high steel V								
	L= 100 (M 100)								without plug-in connection no order
	L= 200 (M 200)								
	L= 300 (M 300)								
	L= 300 (V 300)								
	L= 400 (M 400)								
B	2 (2)	T5	T5						
C	3 (3)		TA						
D	4 (4)			T5					
		M100 for 3 functions only		TA					
	5 (5)				T5				
					TA				
	6 (6)					T5			
					TA				
7 (7)						T5			
						TA			
							TA		

- Subject to modifications -