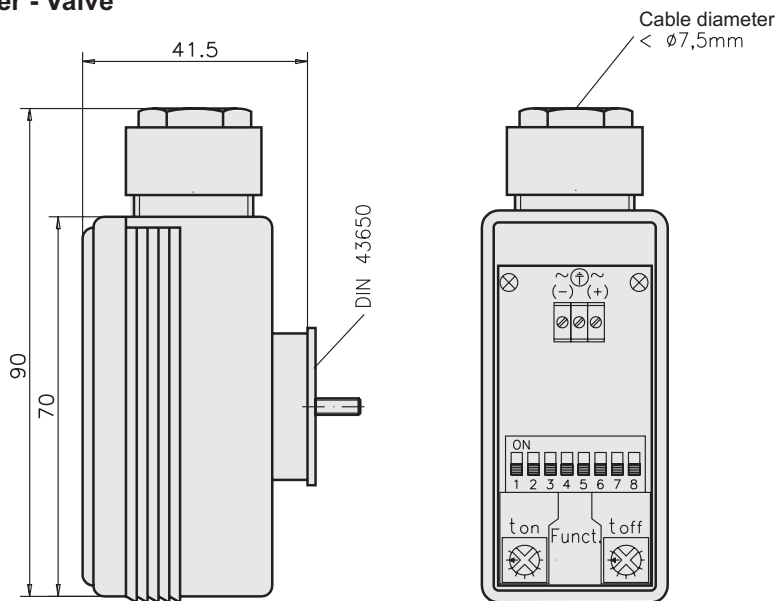




### Timer - Valve



### DIN-Plug-Time Control

467.583-60  
467.583-61  
485.953-60

- DIN 43650
- Two time switching functions
- Eight time ranges
- LED-status displays
- Simple mounting
- IP65 plug casing

#### Use:

This DIN 43650 plug has been developed for magnetic valves specifically.

#### Time switch functions:

The internal DIP switch can be used to preset two time switch functions.

Asymmetrical pulse generator with impulse-start and asymmetrical pulse generator with intermission-start.

	Funct.	
Pulse generator start with impulse t <sub>on</sub>	<input type="checkbox"/>	<input type="checkbox"/>
Pulse generator start with intermission t <sub>off</sub>	<input type="checkbox"/>	<input type="checkbox"/>

#### Time setting:

The time domains for impulse t<sub>on</sub> and intermission t<sub>off</sub> can be adjusted separately at the DIP-switches 1-3 for impulse and 6-8 for intermission. The times within the time ranges at potentiometers t<sub>on</sub> and t<sub>off</sub>.

	t <sub>on</sub>			t <sub>off</sub>		
	1	2	3	6	7	8
0,5 ÷ 10 sec	<input type="checkbox"/>	<input type="checkbox"/>	<input type="checkbox"/>	<input type="checkbox"/>	<input type="checkbox"/>	<input type="checkbox"/>
1,5 ÷ 30 sec	<input type="checkbox"/>	<input type="checkbox"/>	<input type="checkbox"/>	<input type="checkbox"/>	<input type="checkbox"/>	<input type="checkbox"/>
5 ÷ 100 sec	<input type="checkbox"/>	<input type="checkbox"/>	<input type="checkbox"/>	<input type="checkbox"/>	<input type="checkbox"/>	<input type="checkbox"/>
0,5 ÷ 10 min	<input type="checkbox"/>	<input type="checkbox"/>	<input type="checkbox"/>	<input type="checkbox"/>	<input type="checkbox"/>	<input type="checkbox"/>
1,5 ÷ 30 min	<input type="checkbox"/>	<input type="checkbox"/>	<input type="checkbox"/>	<input type="checkbox"/>	<input type="checkbox"/>	<input type="checkbox"/>
5 ÷ 100 min	<input type="checkbox"/>	<input type="checkbox"/>	<input type="checkbox"/>	<input type="checkbox"/>	<input type="checkbox"/>	<input type="checkbox"/>
12 ÷ 240 min	<input type="checkbox"/>	<input type="checkbox"/>	<input type="checkbox"/>	<input type="checkbox"/>	<input type="checkbox"/>	<input type="checkbox"/>
0,5 ÷ 10 h	<input type="checkbox"/>	<input type="checkbox"/>	<input type="checkbox"/>	<input type="checkbox"/>	<input type="checkbox"/>	<input type="checkbox"/>

#### Connection:

Connection is made via terminals inside the casing. When AC-voltage is given, connection shall be made at the terminals ~ and PE, at DC-voltage - at the terminals +/- and PE.

#### Technical Data - General:

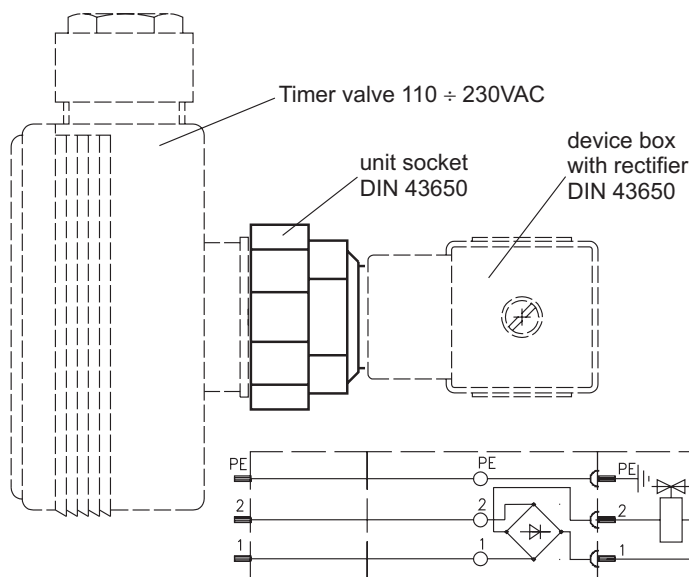
Casing: polyamide  
Temperature range: 0 ÷ +55°C  
Protection system: IP65  
Seal: NBR  
Power consumption: 1,0W

#### Technical Data - Kontakt:

Switching power at max.: 0,5A; 230 VAC  
1,5A; 48 VDC

### Wiring intermediate adapter

Application for DC-magnets with rectifier in the device box



### Order designation:

Timer valve 110 ÷ 230 VAC	467.583-60
Timer valve 24 ÷ 48 VDC	467.583-61
Wiring intermediate adapter for 230 VAC	485.953-60

- Subject to modifications -