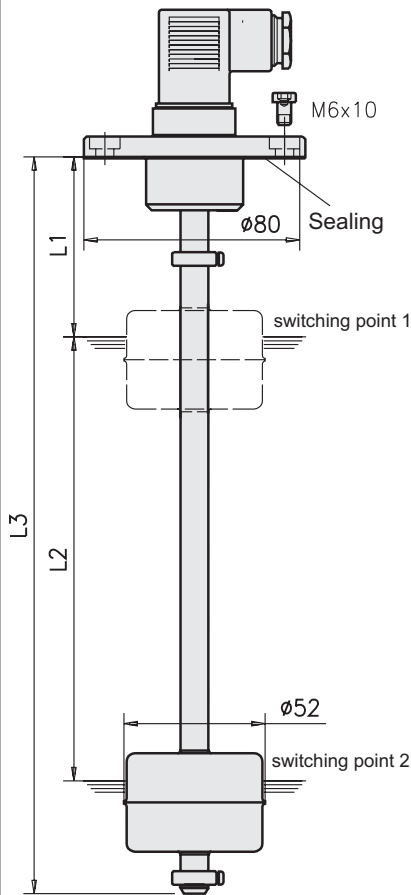


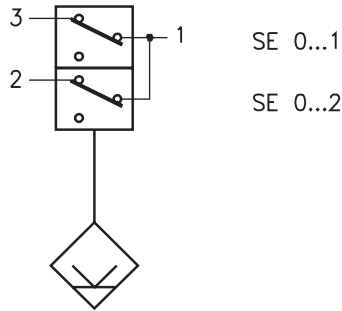


Level switch

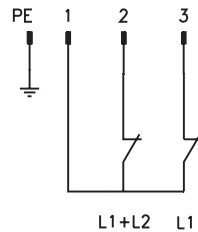


4 screws and sealings are parts of the delivery extent.

Switching symbol

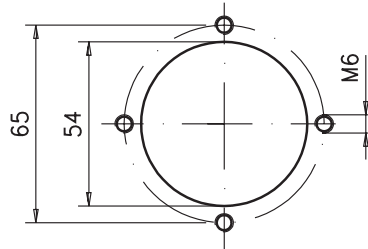


Connection diagram



Switching diagram in case of filled reservoir.
Contact function: opener

Drill pattern



Level Switch KFV-A/39D933



- 1 pre warning switching point
- 1 level min switching point

Application:

For liquids level detection in reservoirs.

Switching point 1

Prewarning - refill oil

Switching point 2

Hydraulik off

Technical Data - Switching element

Switching voltage: 10...250 VUC
Switching current max.: 1 A
Switching capacity max.: 40/40 W/VA

- Subject to modifications -

Order designation:

	Level switch	KFV-A / 39D933 / ○ / ○ / ○
Total length	L3 [mm]	_____
Switching measure	L1 [mm]	_____
Differential measure	L2 [mm]	_____

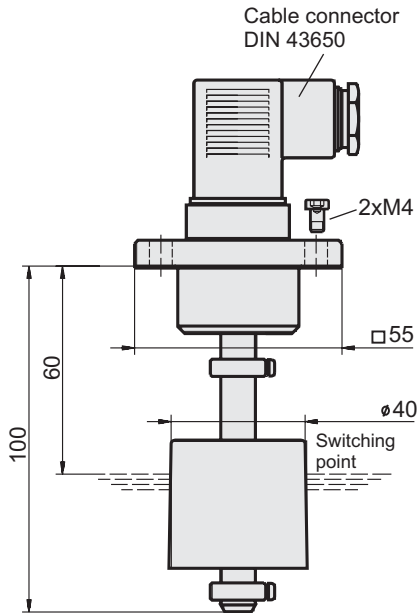
Level switch allocation -									
Reservoir - size NG..									
NG	63	100	160	250	400	630	800	1000	1250
L1					180				
L2					70				
L3					280				

Type on stock

KFV-A/39D933/280/180/70

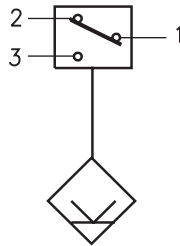
Order-No. 476.698-61

Level switch

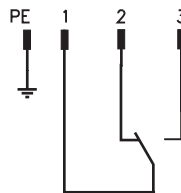


2 screws M4 are in the delivery extent.

Switching symbol

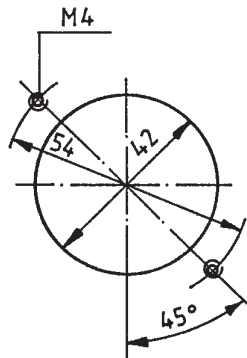


Connection diagram



Switching diagram in case of filled reservoir

Drill pattern



Level switch
KFV-A/39D934



- 1 switching point max
- for Reservoir NG 10 ÷ 1250

Application:

For liquids level detection in reservoirs.

Switching point max oil level.

Technical Data - Switching element

Switching voltage: 10...250 VUC
Switching current max.: 1A
Switching capacity max.: 40/40 W/VA

- Subject to modifications -

Order Designation

Level switch

KFV-A / 39D934

max. control