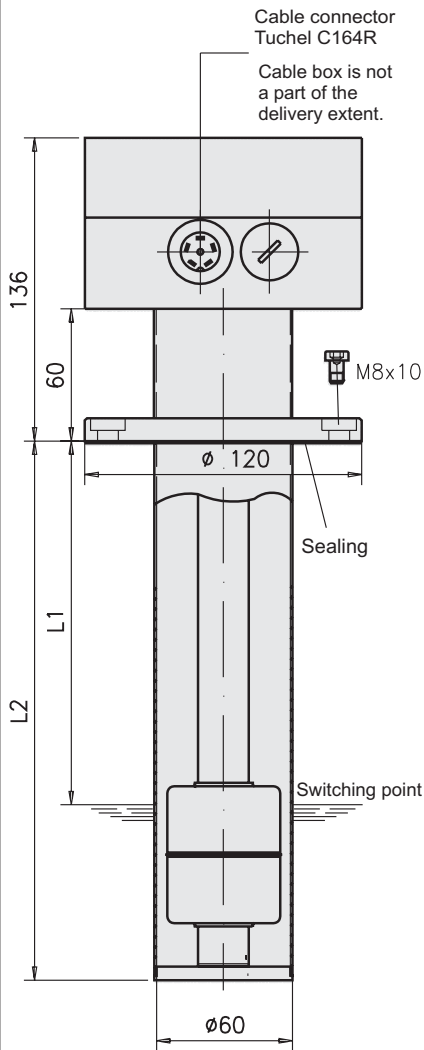
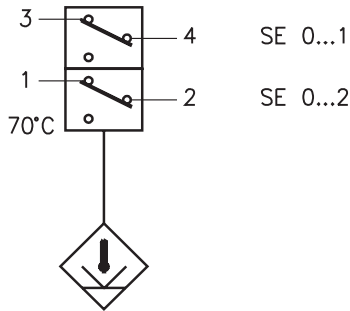




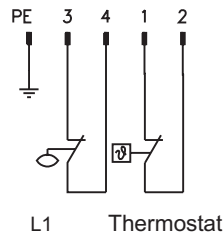
**Level switch**



**Switching symbol**

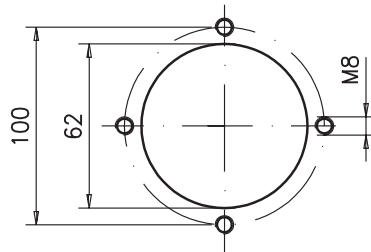


**Connection diagram**



L1 Thermostat  
Switching diagram when reservoir is filled and temperature below 70°C  
Contact function: break-contact

**Drill pattern**



**Level Switch  
KFV-A/39D931**



- 1 Level min switching point
- 1 Thermostat

**Application:**

For liquids level detection in reservoirs and agent temperature monitoring.

**Level switching point**

min. Oil filling level; hydraulik system OFF

**Switching point for Thermostat**

Upon reaching temperature of 70°C; machine stop at cycle end.

**Technical data - Switching element**

Switching voltage: 10...250 VUC  
Switching current max.: 0,5A  
Switching capacity max.: 40/60 W/VA

**Technical data - Thermostat**

Switching voltage: 250 V  
Switching current max.: 10A  
Switching capacity max.: 1,2 kW

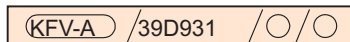
Cable box if necessary:

Cable box W5 913.400-10

- Subject to modifications -

**Order Designation:**

Level switch  
Total length L2 [mm]  
Switching measure L1 [mm]

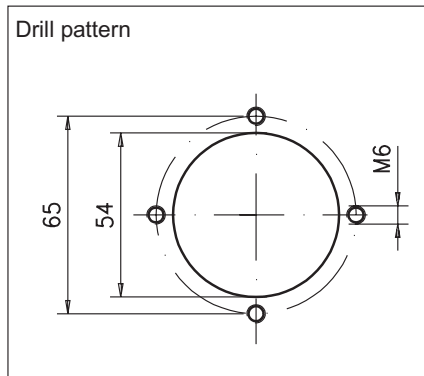
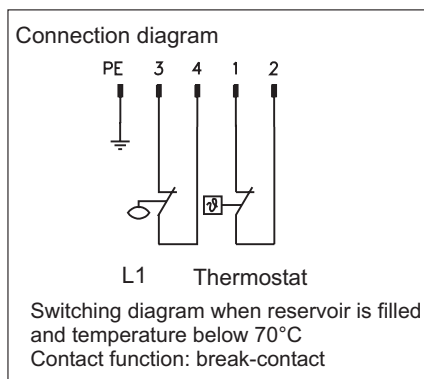
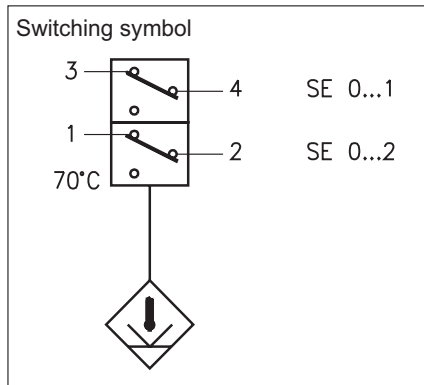
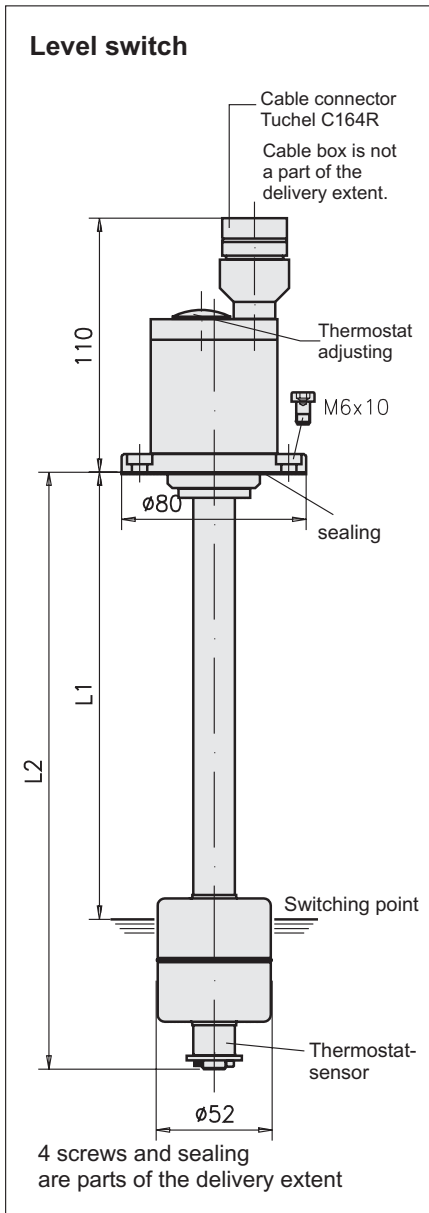


Level switch - allocation									
Reservoir -size NG..									
NG	63	100	160	250	400	630	800	1000	1250
L1				250					
L2				320					

**Type on stock**

KFV-A/39D931/320/250

Orde -No.: 476.692-61



### Level switch KFV-A/39D932



- 1 Switching point for Level min
- 1 Thermostat

### Application:

For liquids level detection in reservoirs and agent temperature monitoring.

### Level switching point

Min. Oil filling level; hydraulik system OFF

### Switching point for Thermostat

Upon reaching temperature of 70°C; machine stop at cycle end.

Switching point can be set in a range from 0 to 80°C.

When leaving factory, switching point is preset to 70°C.

### Technical data - switching element

Switching voltage: 10...250 VUC  
Switching current: 0,5A  
Switching capacity: 40/40 W/VA

### Technical data - thermostat

Switching voltage: 250 V  
Switching current max.: 10A  
Switching capacity max.: 1,2 kW

Cable box if necessary:

Cable box W5 913.400-10

### Order designation:

Level switch

(KFV-A) / 39D932 / ○ / ○

Total length L2 [mm]

Switching measure L1 [mm]

Level switch - allocation				
Reservoir-size NG..				
NG	10	20		40
L1	120			200
L2	150			230

### Type on stock

KFV-A/39D932/150/120

Order-Nr.: 476.699-61

KFV-A/39D932/230/200

Order-Nr.: 476.699-62