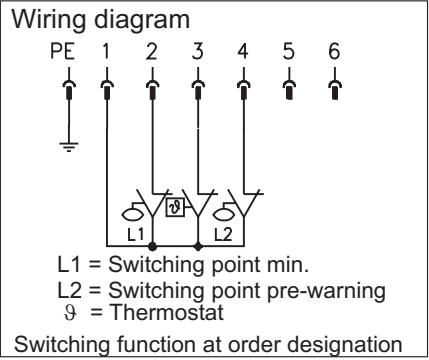


- Subject to modifications -



### Level Switch KFS-D

- Two switching points for level monitoring
- One switching point for temperature monitoring
- Simple installation
- Small size

**Application:**  
Monitoring of levels and of temperatures of liquids.

**Function - Level switch:**  
The Reed contact ist switching when the float reaches the switching point L2 (pre-warning). At the switching point L1 another Reed contact is switching (min. level). The switching functions (Opener or Closer contacts) have to be stated in the order.

**Function - Thermostat A:**  
A bimetal disc which can be influenced by temperature is switching as soon as the adjusted switching temperature is reached. Various switching temperatures are available (see order designation).

**Technical Data - General:**  
 Operating pressure at max.: 1 bar  
 Temperature range: 0...90 °C  
 Mounting position: vertical ± 10 °  
 Material:  
 Tube and thermostat: copper alloy  
 Float: polyurethane  
 Flange: aluminium alloy  
 Sealing: NBR  
 Protection type: IP 65  
 Plug-and socket connection: DIN 43651  
 Weight at L=300: 0,16 kg

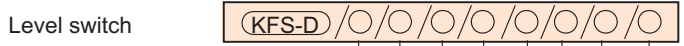
For inductive an capacitive loads, sup-pressor circuits shall be provided for. (Diode, RC element, varistor)

**Technical Data - Reed Contact:**  
 Switching voltage: 10...230 VUC  
 Switching current max.: 0,5A  
 Switching capacity max.: 10/30 W/VA

**Technical Data - Thermostat A:**  
 Switching voltage max.: 250 VUC  
 Switching current max.: 1,6A at 220VAC  
 1,0A at 6...60 VDC  
 Cycle of operations max.: 10000  
 Tolerance of rated temperature: ± 6 %  
 Hysteresis: min 9 °C  
 max 25 °C  
 Temperature changing speed max.: 1 K/min

**Spare parts:**  
 Cable connector DIN 43651 913.400-27  
 Contact connector crimp. 913.400-29  
 O-ring 20x1,5 915.202-58

### Order Designation:



Flange	Switching functions level		Switching function thermostat	Type of thermostat	Switching length		Cable connector
	L1 at descending level	L2 at descending level			L1 [mm]	L2 [mm]	
M20x1,5 (F)	Opener (O)	Opener (O)	Opener (063)	Universal (A)	state in the order		with (Z)
G1/2 (G)	Closer (S)	Closer (S)	Closer (070)				without (N)
			(080)				
			(S63)				
			(S70)				
			(S80)				