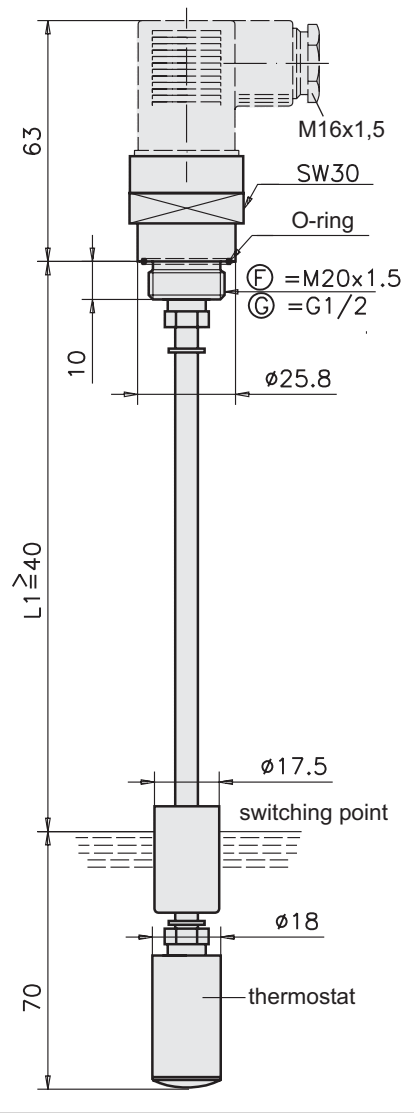
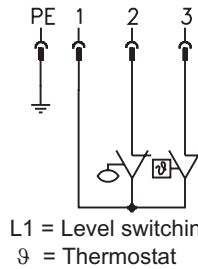




**KFS-C**



**Wiring diagram**



Switching function at order designation

**Technical Data General:**

Operating pressure at max.: 1 bar  
 Temperature range: 0...90 °C  
 Mounting position: vertical ± 10°  
 Material:  
 Tube and thermostat: copper alloy  
 Float: polyurethane  
 Flange: aluminium alloy  
 Sealing: NBR  
 Protection type: IP 65  
 Plug-and socket connection: DIN 43650  
 Weight at L=300: 0,16 kg

For inductive an capacitive loads, sup-  
 pressor circuits shall be provided for.  
 (Diode, RC element, varistor)

**Technical Data - Reed Contact:**

Switching voltage: 10...230 VUC  
 Switching current max.: 0,5 A  
 Switching capacity max.: 10/30 W/VA

**Technical Data - Thermostat A:**

Switching voltage max.: 250 VUC  
 Switching current max.: 1,6 A at 220 VAC  
 1,0 A at 6...60 VDC  
 Cycles of operations max.: 10000  
 Tolerance of rated temperature: ± 6 %  
 Hysteresis: min 9 °C  
 max 25 °C  
 Temperature changing speed max: 1 K/min

**Level Switch  
KFS-C**

- One switching point for level monitoring
- One switching point for temperature monitoring
- Simple installation
- Small size

**Application:**

Monitoring of levels and of temperatures of liquids.

**Function - Level switch:**

The Reed contact is switching when the float reaches the switching point L1. The switching function Opener or Closer have to be stated in the order.

**Function - Thermostat A:**

A bimetal disc which can be influenced by temperature is switching as soon as the adjusted switching temperature is reached. Various switching temperatures are available (see order designation).

**Spare parts:**

Cable connector DIN 43650 913.400-20  
 O-ring 20x1,5 915.202-58

- Subject to modifications -

**Order Designation:**

Level switch



Flange	Switching functions L1 at descending level	Switching functions thermostat	Type of thermostat	Switching length L1 [mm]	Cable connector
M20x1,5 (F) G1/2 (G)	Opener (O) Closer (S)	Opener (063, 070, 080) Closer (S63, S70, S80)	Universal (A)	state in the order	with (Z) without (N)