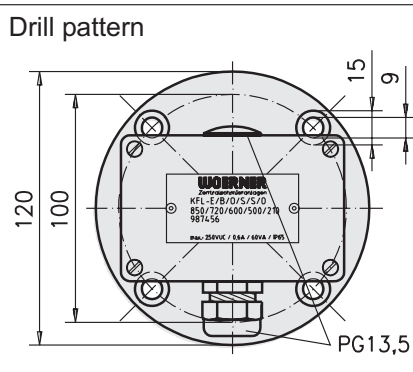
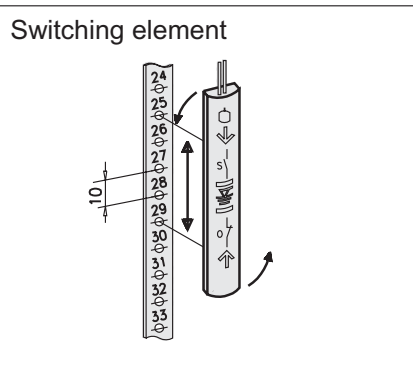
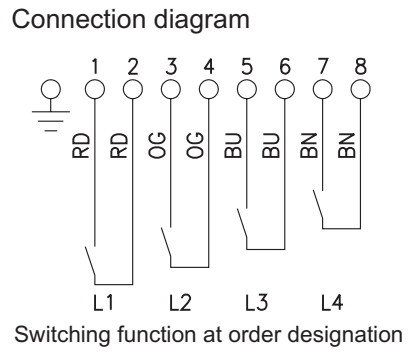
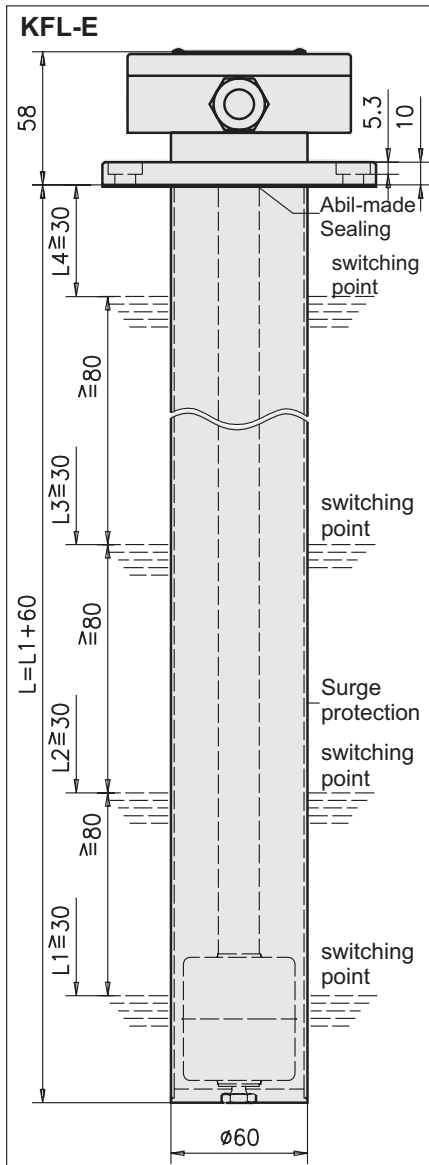




- Subject to modifications -



**Level Switch
KFL-E**

- 4 switching points at max.
- Switching points individually adjustable

Application:

For the detection of liquids level in reservoirs.

Function:

In the conductor piece there are 4 switching elements at maximum which are latched into a hole strip at hole distances of 10 mm each. The switching function is bistable. When turning the contacts by 180°, the switching function can be reversed (opening contact becomes closing contact and vice versa). The protective pipe serves as surge protection allowing the level switches to be used in the presence of heavily moved liquids either.

Technical Data - General:

Operating pressure at max: 8 bar
 Temperature range: 0...100 °C
 Insertion position: vertically ± 20 °
 Material:

Pipe ø 18: Cu-alloy
 Pipe ø 60: AL-alloy
 Flange and terminal box:

salt water resistant AL-alloy
 Float, stainless steel: 1.4571
 Sealing: Abil

Protection system: IP 65
 Weight at L=300: 0,45 kg
 Weight / 100mm excess length: 0,05 kg

Technical Data - Switching Element:

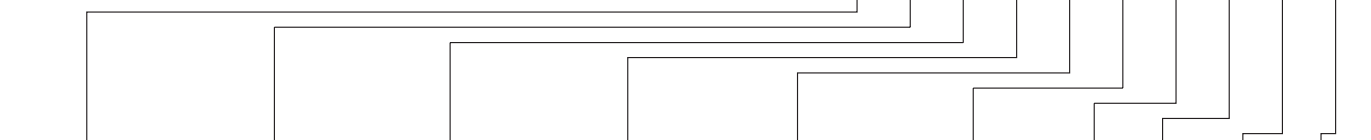
Switching voltage: 10...250 VUC
 Switching current at max.: 0,6 A
 Switching power at max.: 60 W/VA
 For inductive and capacitive loads, suppressor circuits shall be provided for. (Diode, RC element, varistor)

Spare Parts:

Switching element, red (L1) 468.525-65
 Switching element, orange (L2) 468.526-65
 Switching element, blue (L3) 468.527-65
 Switching element, brown (L4) 468.528-65

Order designation:

Level switch



| Float | Switching functions | | | | | | | | Total length L mm | Length | | | |
|---------------------|--|--|--|--|--------------------|--------------------|--------------------|--------------------|-------------------------|--------|--|--|--|
| | L1 switching point Level decreasing | L2 switching point Level decreasing | L3 switching point Level decreasing | L4 switching point Level decreasing | L1 mm | L2 mm | L3 mm | L4 mm | | | | | |
| Stainless steel (B) | without (N) | without (N) | without (N) | without (N) | state in the order | state in the order | state in the order | state in the order | (Grid: 10mm) | | | | |
| | Opener (O) | Opener (O) | Opener (O) | Opener (O) | | | | | | | | | |
| | Closer (S) | Closer (S) | Closer (S) | Closer (S) | | | | | | | | | |