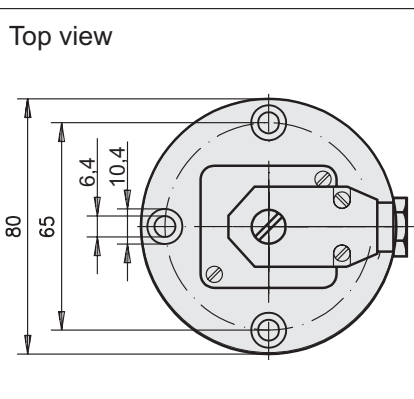
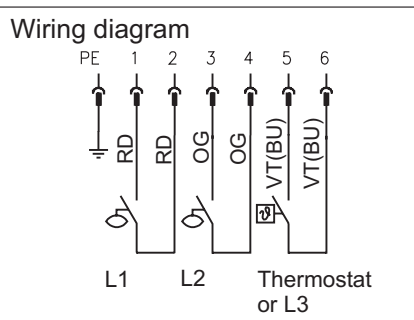
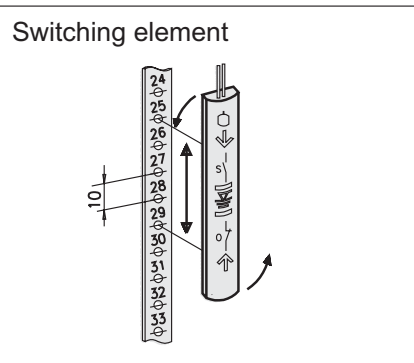
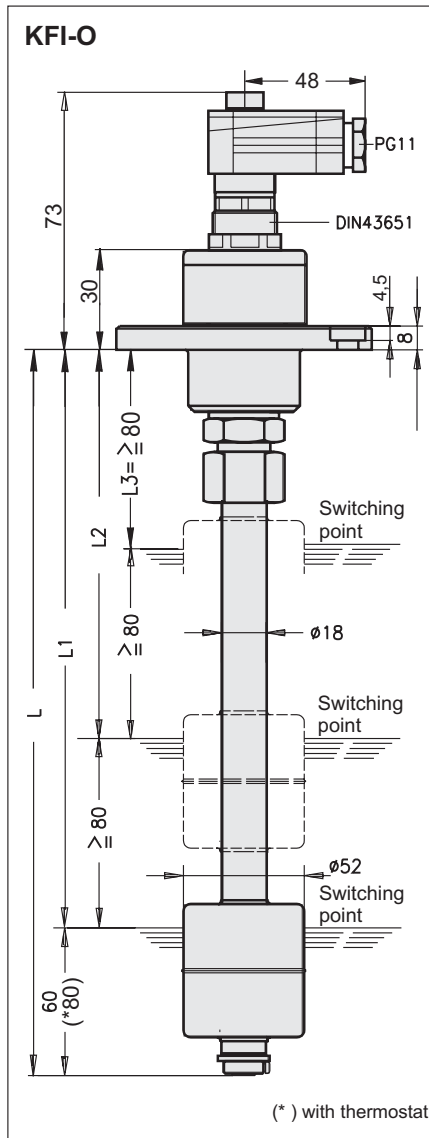




- Subject to modifications -



Level switch KFI-O

- Max. 3 level switching points
- Max. 2 level switching points and 1 thermostat
- Switching points adjustable separately
- Plug-in connection DIN 43651
- Guide tube can be shortened conditional on screwing

Application:

For liquids level detection in reservoirs and agent temperature monitoring.

Function - Level switch

In the guidance pipe there are three switching elements at maximum locked on a hole strip with hole spaces of 10 mm. The switching function is bi-stable. When turning the contacts by 180°, the switching function can be reversed (the opener contact becomes the closer contact and vice versa). By loosening the cap screws the switching elements can subsequently be changed in their functions and replaced.

The guide tube is connected to the flange by means of a cutting-ring union. Thus it is possible to shorten subsequently a tube which is too long.

Function - Thermostat:

Upon reaching the firmly set response temperature, a bimetal disk that can be influenced by the temperature will switch (see Order designation). The thermostat is situated in the lower part of the conductor piece and can be exchanged.

Technical Data:

- Operating pressure max: 8 bar
- Temperature range: 0...80 °C
- Mounting position: vertically ± 20°
- Material: Tube CU-alloy
- Flange Al-alloy
- Float 1.4571
- Protection type: IP 65
- Plug-in connection: DIN 43651
- Weight at L=300: 0,65 kg
- Weight/100mm additional length: 0,05 kg

Technical data - Switching element:

- Switching voltage: 10...250 VUC
- Switching current max.: 0,5 A
- Switching power max.: 40/60 W/VA

Technical data - Thermostat:

- Switching voltage: 10...250 VUC
- Switching element max.: 6,3A(cosφ0,6)
- Tolerance of response: ±6%
- Hysteresis at max.: 18°C

For inductive and capacitive loads, suppressor circuits shall be provided for. (Diode, RC element, varistor)

Order designation:

Level switch



Switching functions				Thermostat or		Lengths [mm]			
L2 switch.point down level decreasing	L2 switch.point middle level decreasing	L3 switch.point up level decreasing		L	L1	L2	L3		
without (N)	without (N)	without (N)		state in the order					
Opener (O)	Opener (O)	Opener (O)							
Closer (S)	Closer (S)	Closer (S)							
		Opener 63° (063)							
		Opener 71° (071)							
		Opener 80° (080)							