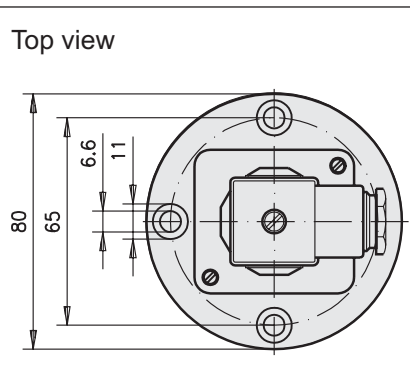
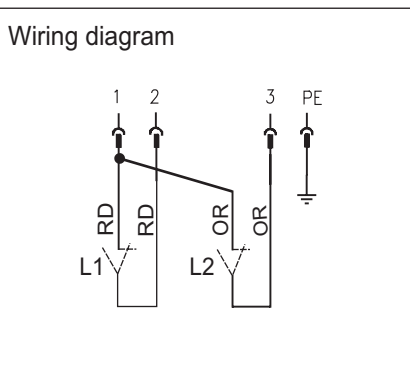
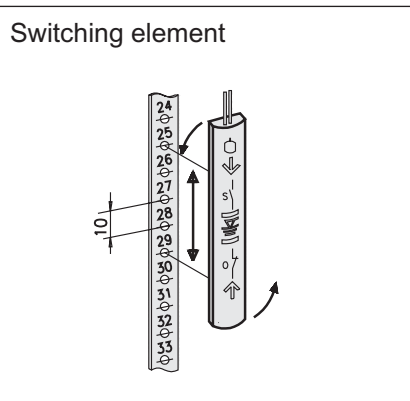
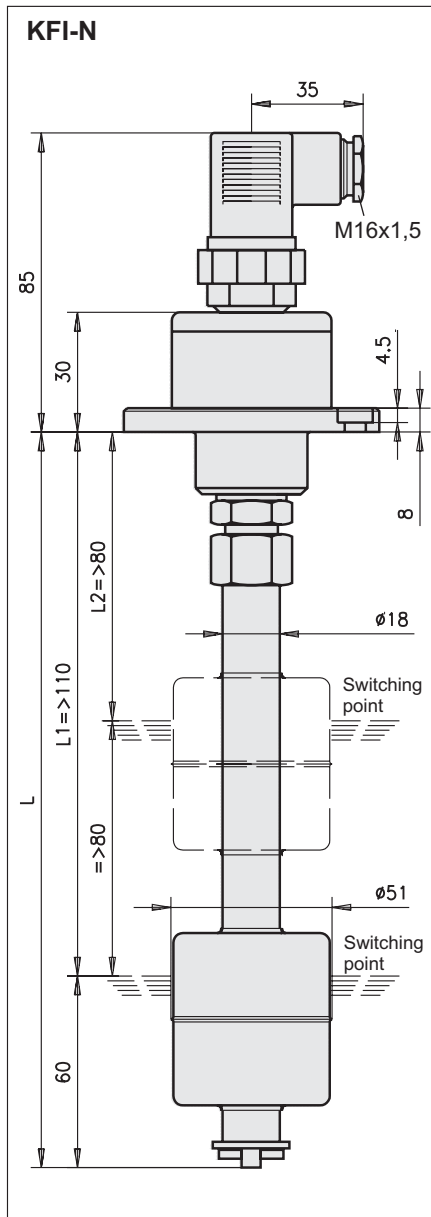




- Subject to modifications -



Level switch KFI-N

- One or two switching points
- Switching points adjustable separately
- Plug-and-socket connection DIN 43650
- Switching elements exchangeable
- Guide tube can be shortened conditional on screwing

Application:
Registration of liquid levels in reservoirs.

Function:
One or two switching elements are in the guide tube. These switching elements, which can be clicked in ranges of 10 mm, are on a guide rail with holes. The switching function is bistable. The switching elements can be changed and exchanged subsequently - as far as the switching function are concerned - by means of loosening the screws in the cover. By turning the contact by 180° the switching function can become vice versa (i.e. opening contact becomes closing contact and vice versa).

The guide tube is connected to the flange by means of a cutting-ring union. Thus it is possible to shorten subsequently a tube which is too long.

Technical Data:
 Operating pressure max.: 8 bar
 Temperature range: 0...80 °C
 Mounting position: vertical ± 20°
 Material:
 Float: 1.4571
 Guide tube: brass
 Protection type: IP 65
 Weight at L=300: 0,65 kg
 Weight per 100mm oberlength: 0,05 kg
 Plug-and-socket connection: DIN 43650
 Switching voltage: 10...250 VUC
 Switching current max.: 0,5A
 Switching capacity max.: 40/60 W/VA

Order designation: Level switch



Switching function at descending level		Total length L [mm]	Switching points	
L1	L2		L1 [mm]	L2 [mm]
Opener	without	state in the order	state in the order	
Closer	Opener Closer			

For inductive and capacitive loads, suppressor circuits shall be provided for. (Diode, RC element, varistor)