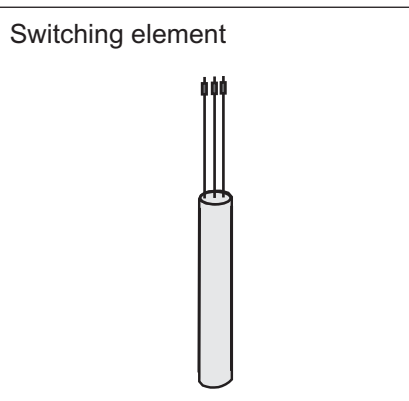
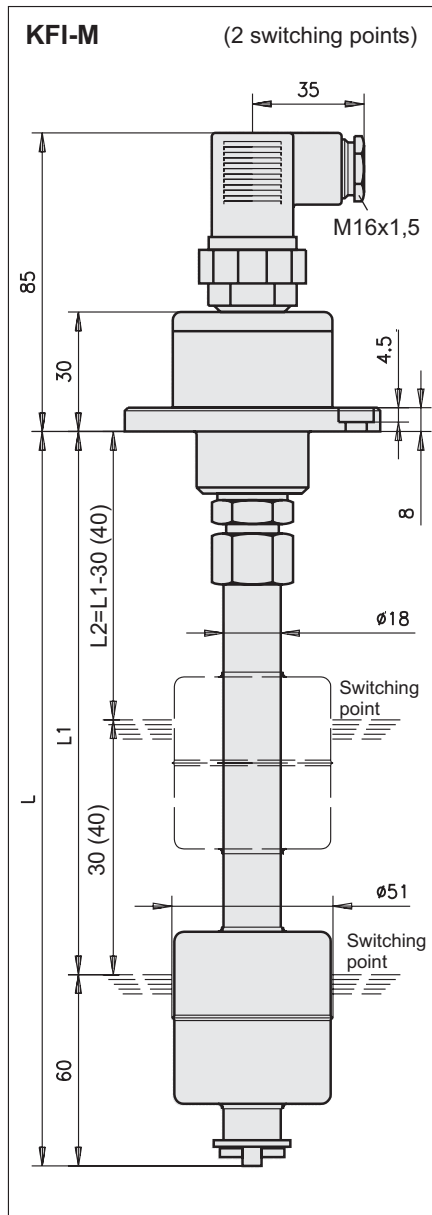




- Subject to modifications -

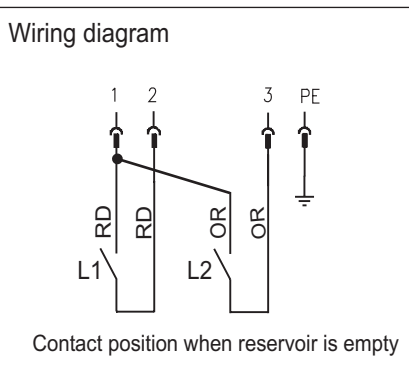


Level Switch KFI-M

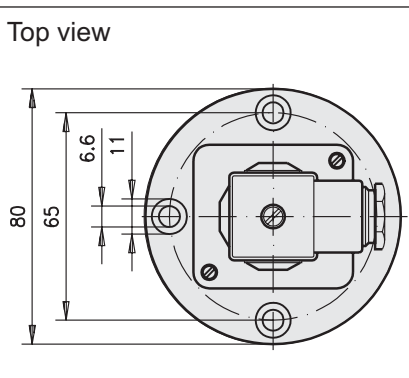
- Two switching points
- Switching difference 30 or 40mm
- Plug-and socket connection DIN 43650
- Switching elements exchangeable
- Guide tube can be shortened conditional on screwing

Application:
Registration of liquid levels in reservoirs.

Function:
The switching elements with two switches, staggered by 30 or 40mm and with bistable switching characteristics are situated in the guide tube. The switch in the most below situation and the switch situated 30 or 40mm above open when the level descends. The switching element can be exchanged by loosening the screws in the cover.



The guide tube is connected to the flange by means of a cutting-ring union. Thus it is possible to shorten subsequently a tube which is too long.



Technical Data:
 Operating pressure max.: 8 bar
 Temperature range: 0...80 °C
 Mounting position: vertical ± 20 °
 Material:
 Float: 1.4571
 Guide tube: brass
 Protection type: IP 65
 Weight at L=300: 0,65 kg
 Weight per 100mm overlength: 0,05 kg
 Plug-and socket connection: DIN 43650
 Switching voltage: 10...250 VUC
 Switching current max.: 0,5A
 Switching capacity max.: 40/60 W/VA

For inductive an capacitive loads, suppressor circuits shall be provided for. (Diode, RC element, varistor)

Order designation: Level switch



Switching function at descending level		Total length L [mm]	Switching difference
L1	L2		
Opener	Opener	state in the order	30mm <input type="radio"/> 30
			40mm <input type="radio"/> 40