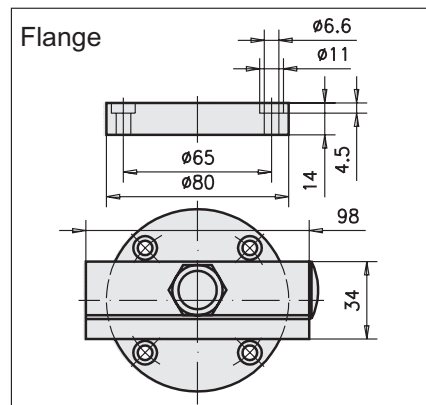
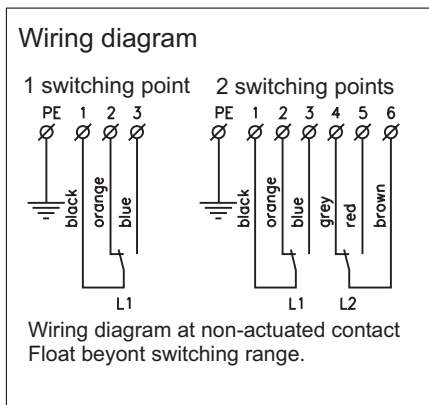
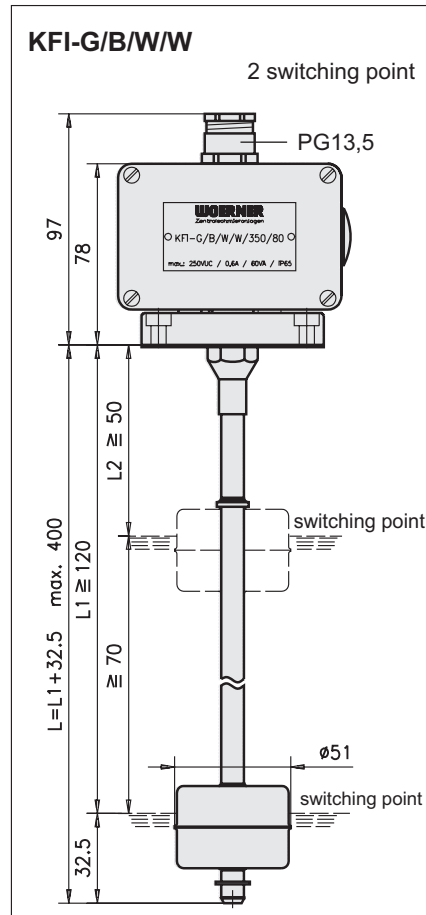
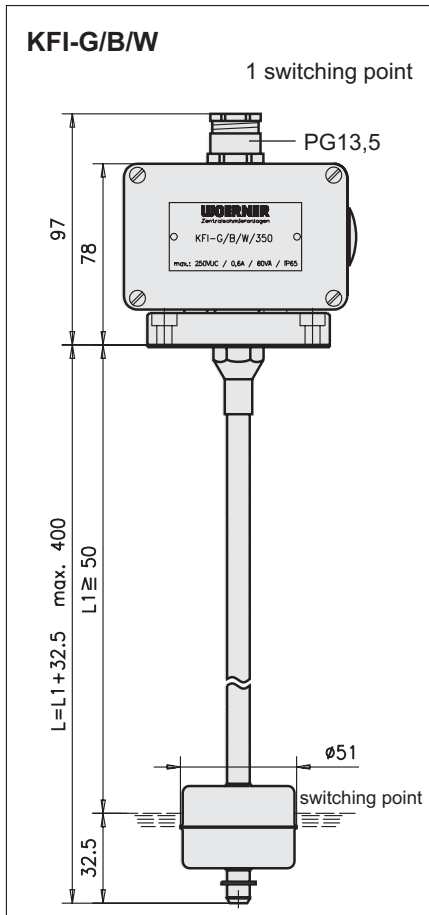




- Subject to modifications -



**Level Switch
KFI-G**

■ **Germanischer Lloyd**

**Design tested -
Approval
certificate no.:87780 HH4/82**

Application:

Switch for monitoring and controlling the filling levels in oil and hydraulic reservoirs.

Function:

The guide tube of the level switch contains one or two Reed contacts, depending on the design, which are activated by the magnetic field of a permanent magnet located in the float.

Technical Data - General:

- Operating pressure max.: 3 bar
- Ambient temperature max.: 80 °C
- Media temperature max.: 130 °C
- Mounting position: vertical ± 22,5 °
- Material:

 - Connection casing: GD-A/Si12 sea-water resistant
 - Flange: CuZnPb2
 - Guide tube: CuZn39
 - Float: 1.4571
 - Weight at L1=300: ca. 1,0 kg
 - Max. length: 400 mm
 - Cable union DIN 46320: PG 13,5 (with self-cutting packing washer)
 - Protection type: IP65

Technical Data - Reed Contact:

- Switching function: D.T. switch
- Switching voltage: 10...230 VUC
- Switching current max.: 1,0A
- Switching capacity max.: 40/60 W/VA

For inductive an capacitive loads, sup-
pressor circuits shall be provided for.
(Diode, RC element, varistor)

Order designation

Level switch



Switching functions		Switching measure	
L1	L2	L1 [mm]	L2 [mm]
lower switching point	uper switching point		
DT-switch (changeover switch)	Not applicable at one switching point DT-switch (changeover switch)		Not applicable at one switching point