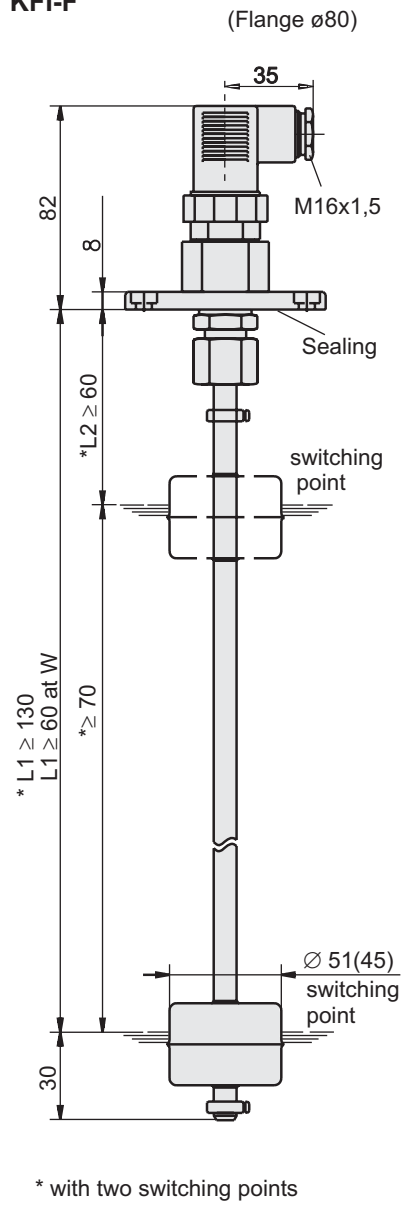




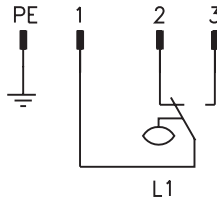
KFI-F



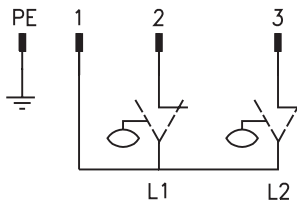
Connection diagram

Plug-and-socket connection DIN 43650

1 Contact changeover



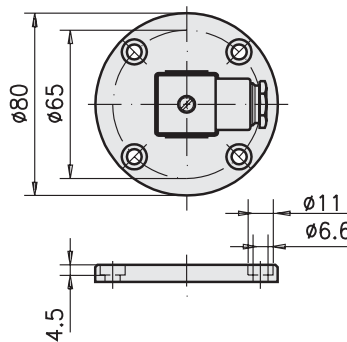
2 Contacts



Switching function at order designation

Wiring diagram at non-actuated contact.
Float beyond switching range.

Flange



Level Switch KFI-F

- Potential-free contact
- Plug-and-socket connection
DIN 43650

Application:

Registration of liquid levels in reservoirs.

Function:

One or two Reed contacts are integrally cast in a sliding tube. A float with a permanent solenoid moves along the sliding tube to match the filling level. When the solenoid approaches the Reed contact the latter is operated without contact.

In the respective switching position the rising of the float is prevented by means of safety rings.

Technical Data - General:

Operating pressure max.:	4 bar
with float B	1 bar
with float C	
Temperature range:	-20...+ 80 °C
Mounting position:	vertical ± 20 °
Material	
Tube:	copper alloy
Float B:	1.4571
Float C:	polyurethane
Flange:	aluminium alloy
Sealing:	Abil
Protection type:	IP 65
Weight at L1 = 300	0,3 kg

Technical Data Reed Contacts:

Switching voltage:	10...230 VUC
Switching current max.:	1,0 A
Switching capacity max.:	40/60 W/VA

For inductive and capacitive loads, suppressor circuits shall be provided for.
(Diode, RC element, varistor)

- Subject to modifications -

Order designation:

Level switch



Float	Switching functions				Switching length	
	L1 = lower switching point at descending level		L2 = upper switching point at rising level		L1 [mm]	L2 [mm]
Stainless steel ø51 (B)	D.T.-switch (changeover) (W)	without (X)	state in the order			
PUR-polyurethane ø45 (C)	Closer (S)	Closer (S)				
	Opener (O)	Opener (O)				