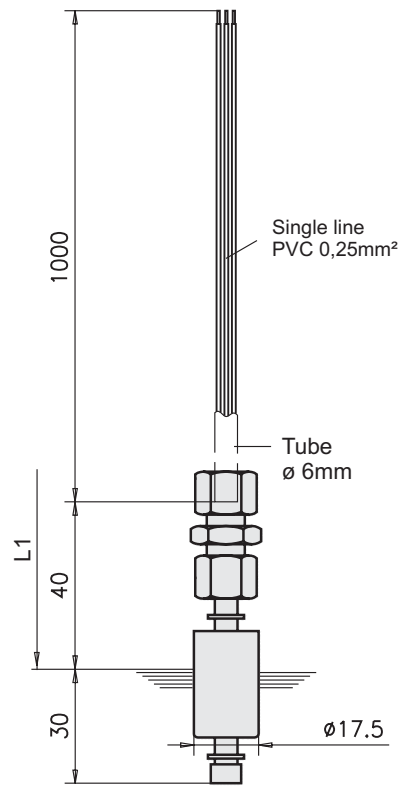
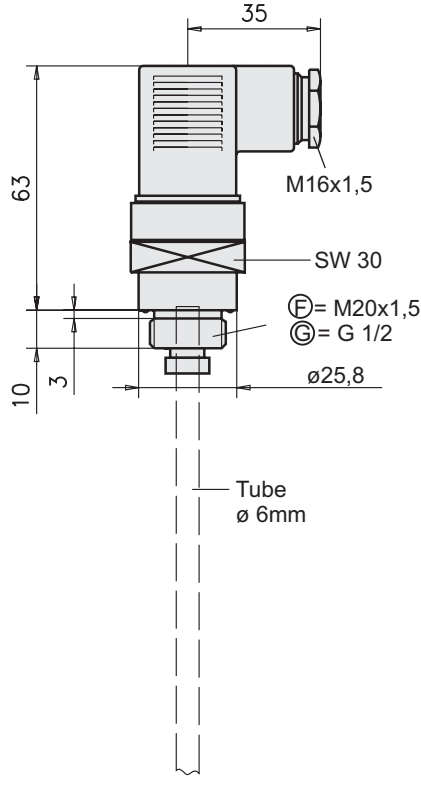




### Switching element



### Flange



### Level switch Components

- Simple storing
- Switching level adjustable
- Smallest size
- N.O. or N.C. switching function respectively

### Application:

Registration of liquid levels in reservoirs.

### Function:

The switching element has two Reed contacts (one N.C. switch and one N.O. switch) which will be operated on proximity without contact.

The switching level is determined by the length of a metal tube which connects the switching element with the flange via cutting-tube unions. The tube is not part of the delivery extent.

Tube length in connection with the flange is: Tube length = L1 - 39 [mm]

The connecting pipes can easily be connected in the pin plate of the plug-and socket connection due to Crimp contacts. The parts which are necessary for the flange will be delivered loose.

### Technical Data - General:

Operating pressure max.:	1 bar
Temperature range:	0...90 °C
Mounting position:	vertical ± 10 °
Material: sliding tube:	copper alloy
float:	polyurethane
Protection type flange:	IP 65
Plug-and-socket connection:	DIN 43650
Weight of switching element:	0,05 kg
Weight of flange:	0,10 kg

### Technical Data - Reed Contact:

Switching voltage:	10...230 VUC
Switching current max.:	0,5 A
Switching capacity max.:	10/30 W/VA

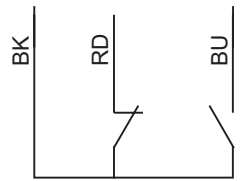
For inductive and capacitive loads, suppressor circuits shall be provided for. (Diode, RC element, varistor)

### Order designation - tube:

The connecting tube will be delivered on request of the customer.

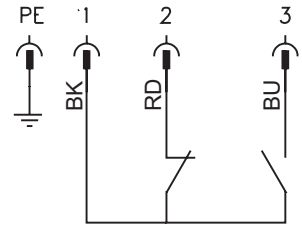
Brass tube 6x0,25	Nr.: 020.335-01
Length:	.....[mm]

### Wiring diagram: Switching element



Wiring diagram at non-actuated contact. Float beyond switching range.

### Wiring diagram Connection of plug-and socket connection



Wiring diagram at non-actuated contact. Float beyond switching range.

### Order designation:

Components



Components	
Switching element 1S/1O	(S)
Flange M20x1,5	(F)
Flange G 1/2	(G)

- Subject to modifications -