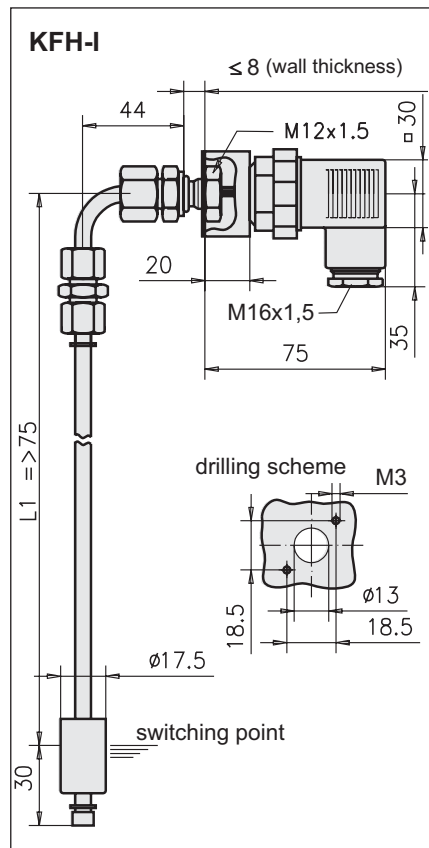
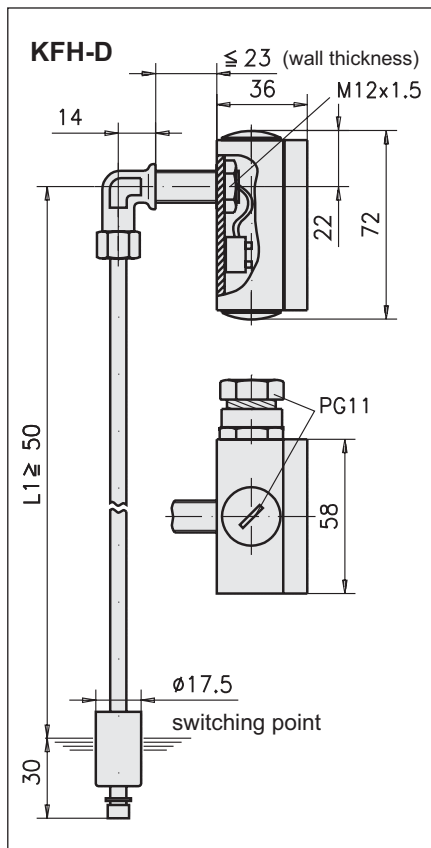
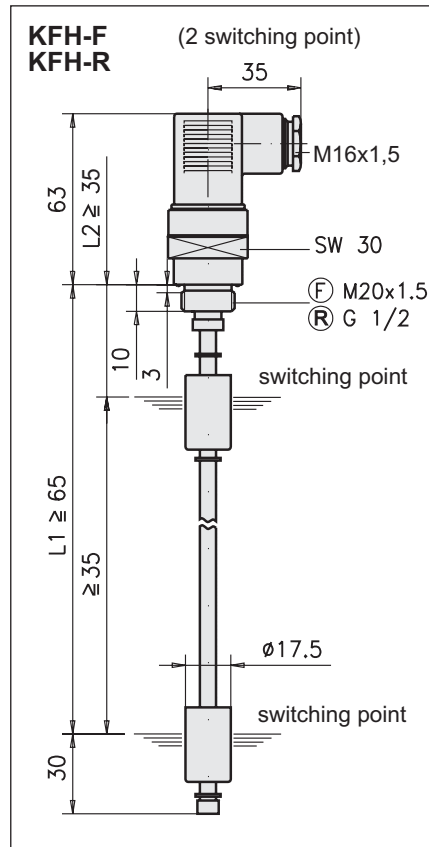
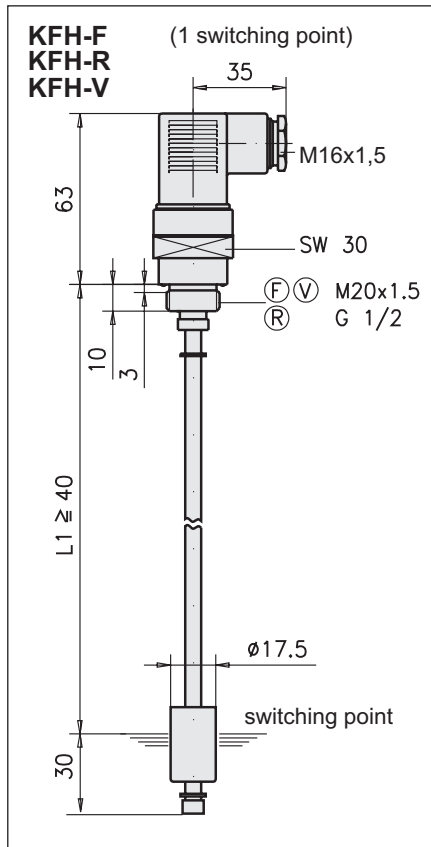




- Subject to modifications -



Level Switch KFH-

- For smallest mounting conditions
- Many mounting variants
- Various switching functions
- Potential-free contacts
- Contacts with high switching data
- Sliding tube made of stainless steel by request

Application:

Registration of liquid levels in reservoirs.

Function:

One or max. two Reed contacts are integrally cast in a sliding tube. A float with a permanent solenoid moves along the sliding tube to match the filling level. When the solenoid approaches the Reed contact the latter is operated without contact.

With the type range KFH only Opener or Closer switches are available - no change-over switches. In the respective switching positions the rising of the float is prevented by means of safety rings. The possible switching functions can be taken from the order designation. In case of two switching points being, two floats are used - depending on the funktion.

For media which cannot be used with copper alloy there is a stainless steel version (see order designation).

The parts getting in touch with the medium are made of 1.4301, the flange is made of aluminium alloy.

Technical Data - General:

Operating pressure max:	1 bar
Temperature range:	0...90 °C
Mounting position:	vertical ± 10 °
Material:	
Tube at standard version:	copper alloy
Tube at version V:	1.4301
Float:	polyurethane
Flange:	aluminium alloy
Seal:	NBR
Protection type:	IP 65
Plug-and-socket connection:	DIN 43650
Weight at L1 = 300:	0,12 kg

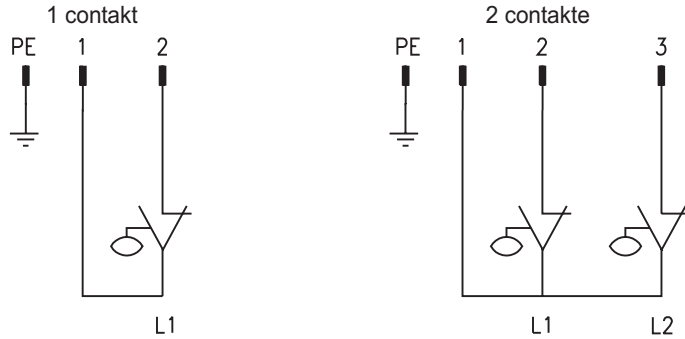
Technical Data - Reed Contacts:

Switching voltage:	10...230 VUC
Switching current max.:	0,5 A
Switching capacity max.:	10/30 W/VA

For inductive and capacitive loads, suppressor circuits shall be provided for. (Diode, RC element, varistor)



Wiring diagram with
Plug-and-socket connection DIN 43650

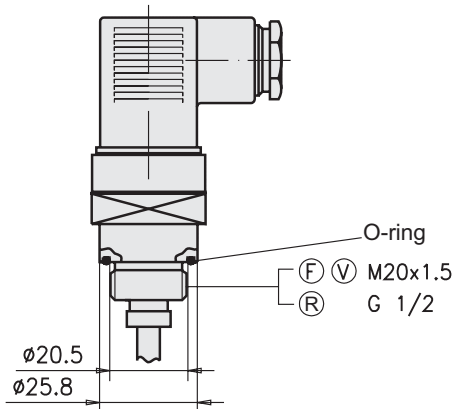


Switching function at Order designation

Spare parts:

Hexagon nut DIN 936 M20x1,5	800.936-05
Hexagon nut DIN 431 G1/2	800.431-03
Cable connector DIN 43650	913.400-20
Profile seal for cable connector	913.400-22
O-ring 20x1,5	915.202-58

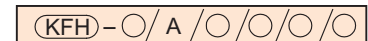
Flange



- Subject to modifications -

Order designation:

Level switch



Basic type (mounting)		Switching function				Switching length	
		L1 = lower switching point at descending level		L2 = upper switching point at rising level		L1 [mm]	L2 [mm]
1 switching point	Flange M20x1,5 (F)	Opener (O)	not possible (X)	state in the order	not applicable		
	Flange G1/2 (R)						
	90° terminal box (D)						
	90° plug-and-socket connection (I)						
	Tube of stainless steel flange M20x1,5 (V)						
2 sw. point	Flange M20x1,5 (F)	Opener (O)	state in the order				
	Flange G1/2 (R)	Closer (S)					