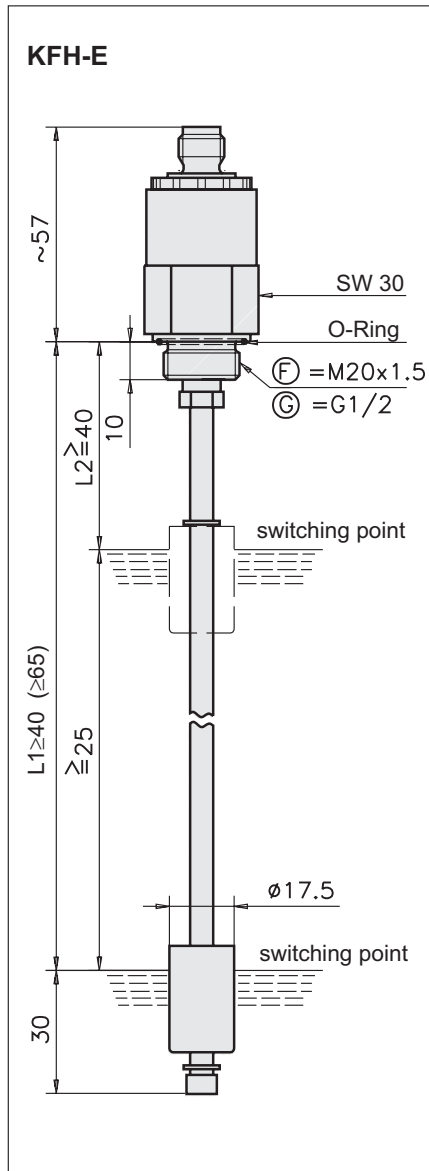
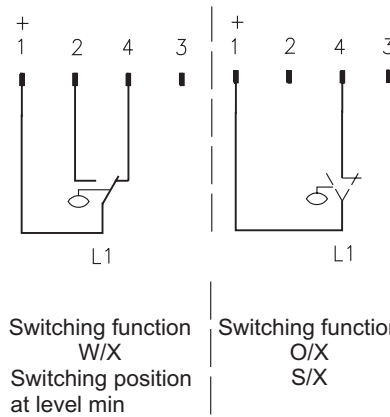




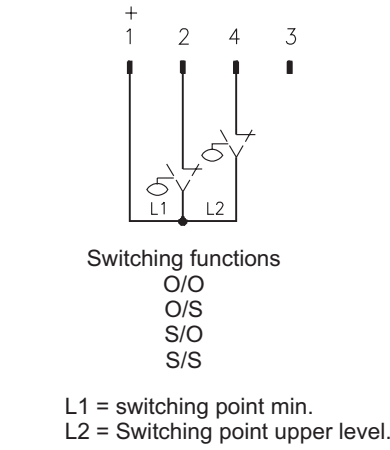
- Subject to modifications -



Wiring diagram 1 Function



Wiring diagram 2 Functions



**Level switch  
KFH-E**

- Plug-in connection 4pol. M12x1 for sensors.
- One or two switching point for level monitoring
- Flange G1/2 or M20x1,5

**Application:**  
Registration of liquid levels in reservoirs.

**Function:**  
One or max two Reed contacts are integrally cast in a sliding tube. A float with a permanent solenoid moves along the sliding tube to match the filling level. When the solenoid approaches the Reed contact the latter is operated without contact. In the respective switching positions the rising of the float is prevented by means of safety rings. Switching functions see order designations.

**Technical data - general:**  
 Operating pressure max.: 1 bar  
 Temperature range: 0...90 °C  
 Mounting position: vertical ± 10 °  
 Material:  
 Tube version M: copper alloy  
 Tube version V: 1.4301  
 Float: polyurethane  
 Flange: aluminium alloy  
 O-ring-seal: NBR  
 Protection type: IP 65  
 Protection class: II (protection insulated)  
 Plug-in connection: M12x1; 4pol  
 Weight L=300: 0,16 kg

**Technical Data - Reed Contacts:**  
 Switching voltage max.: 30 VDC  
 Switching current max.: 0,25 A  
 Switching capacity max.: 3 W

For inductive and capacitive loads, suppressor circuits shall be provided for. (Diode, RC element, varistor)

**Order designation:**

Level Switch



Flange	Sliding tube	Switching functions		Switching length		Supplement Cable connector
		L1 descending level	L2 descending level	L1 [mm]	L2 [mm]	
M20x1,5 (F) G1/2 (G)	copper alloy (M) 1.4301 (V)	Change over (W)				without (N)
		Opener (O)	without (X)		without (X)	
		Closer (S)				
		Opener (O)	Opener (O)			
		Closer (S)	Closer (S)			