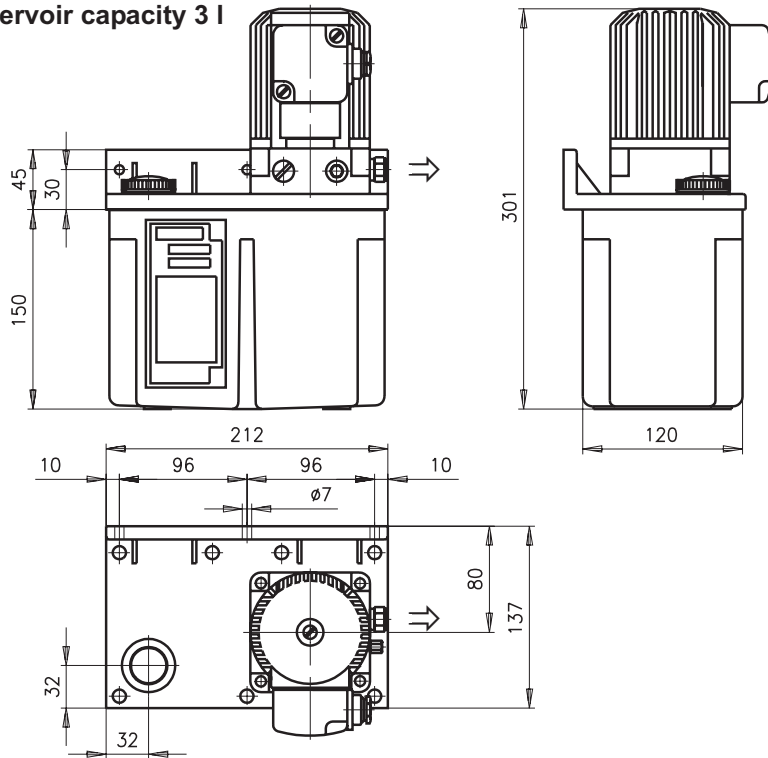
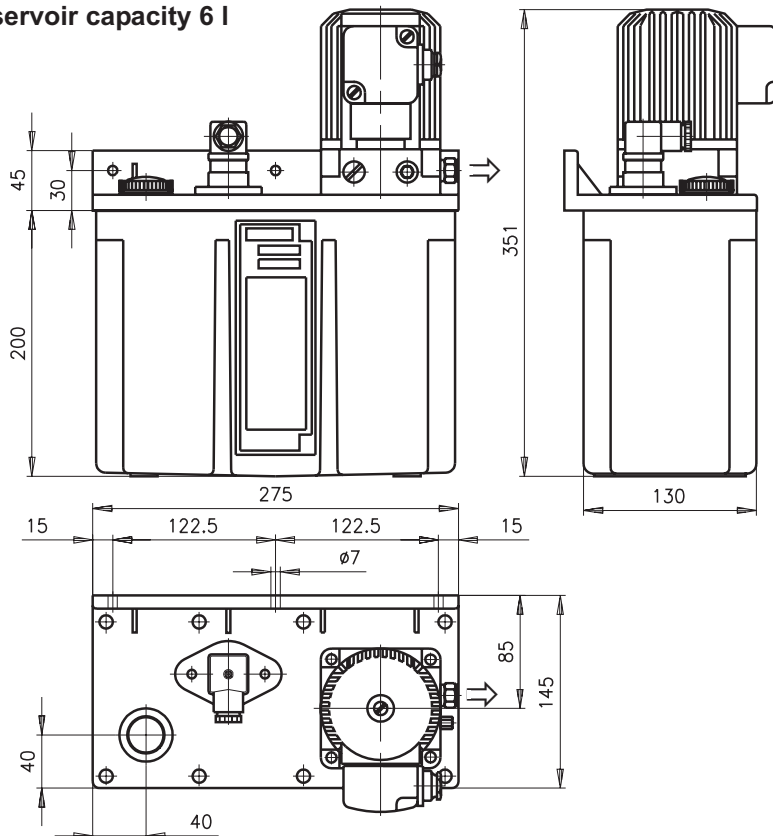




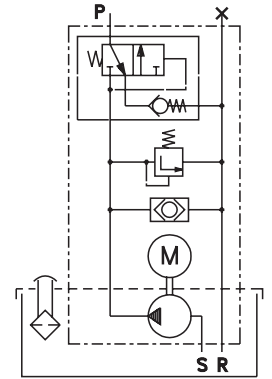
Reservoir capacity 3 l



Reservoir capacity 6 l



Single-line aggregate for liquid lubricating grease GEI-F



Use:

This unit is used as a pump aggregate in central lubrication systems following the single-line system.

Technical data:

Gear pump

Delivery volume: 0,2 l/min
Lubricant
Liquid lubricating grease: 00-000
Mineral oil: 50 ... 1500 mm²/s
Operating pressure: at max. 40 bar

Reservoir

Capacity: 3 l or 6 l
Material: Polyamide (PA) transparent

Medium temperature: at max. + 60 °C
Ambient temperature: at max. + 40 °C

At low temperatures, penetration of liquid lubricating grease should be observed.

Motor

Running time: at max. 10 min
Clearing time: double the running time at minimum
Degree of protection: IP 44

Alternating current motor (three-phase)

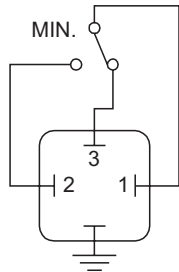
Three-phase current voltage:
230/400V (Δ/Y) ± 10 % 50Hz
276/480V (Δ/Y) ± 10 % 60Hz

Amperage
230/400V 50Hz: 0,66/0,38A
276/480V 60Hz: 0,75/0,43A

Speed
at 50 Hz: 2730 U/min
at 60 Hz: 3200 U/min

Power
Rated power: 70 W
Pickup power: 180 W

- Subject to modifications -

Connection diagram for empty reservoir

Electrical level switch

Material

Guiding tube:

PA

Flange:

PA

Plug-in connection:

DIN 43650 PG11

Temperature range:

+20 ... +60 °C

Switching voltage at max:

250 V

Switching current at max:

5 A

Purchase-designation:

Single-line aggregate



Reservoir capacity	Level switch	Delivery volume	Electr. voltage	Pressure connecting piece
3 l (3)	without (0)	0,2 l/min (2)	Three-phase current 230/400 V (3)	M14x1,5 (0)
6 l (6)	without (0)			for pipe-AD 8 (A)
	Minimum (5)	G1/8 (B)		

Purchase-example:

Single-line aggregate GEI-F, reservoir capacity 6l, without level switch, with delivery volume 0,2 l/min, voltage 230/400V three-phase current, pressure connecting piece G1/8.

Purchase-designation:
GEI-F/6/0/2/3/B

- Subject to modifications -