

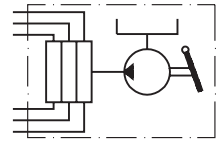


- Subject to modifications -



### Hand pump with progressive distributor

**PFH-P**

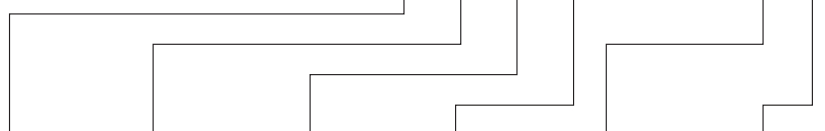


### Technical data:

- Delivery capacity per stroke: 1,8 cm<sup>3</sup>
- Delivery pressure max.: approx. 140 bar (dependant on the hand power)
- Hand pressure at 100 bar delivery pressure: approx. 200 N
- Delivery medium: Oil and grease up to consistency class 2
- Reservoir capacity: 1,3 l and 1,5 l
- Temperature range: -10 ... +80 °C
- The grease penetration must be monitored with low temperatures.
- Material:
  - Pump and distributor: Aluminium/steel
  - Tank 1,5 l: Aluminium/PVC transparent
  - Tank 1,3 l: black oxidised steel
- Sealing material:
  - Pump and distributor: selectable from perbunan or viton

### Purchasing-designation:

Hand pump



Tank	Number of outlets	Threaded pipe connection for each outlet	Display device	Dispensing volume for each piston stroke and outlet	Sealing material
1,5l PVC without sequential piston (1.5)	one outlet G 1/4 (1)	without (0)	without (0)	without (0)	Nitrile-rubber NBR i.e. Perbunan (P)
with sequential piston (1.5F)	with progressive distributor VPB-B:	without (0)	without (0)	0.09 (09)	
1,3l steel without sequential piston (1.3)	Number of outlets from 6 ... 20 with each 2 <sup>nd</sup> outlet mounted	ø4 (4)	with (S)	0.14 (14)	FPM (Viton) (V)
with sequential piston (1.3F)		ø6 (6)		0.20 (20)	

### Outlet volume:

The pump's volumetric displacement can be distributed across various similar or different outlets volumes by means of the progressive distributor. The number of outlets and the outlet volumes at each outlet also depends on the switching of the progressive distributor (internal and external outlet volume combinations). Further information can be obtained from our information leaflet-no. 0378.

### Ordering-example:

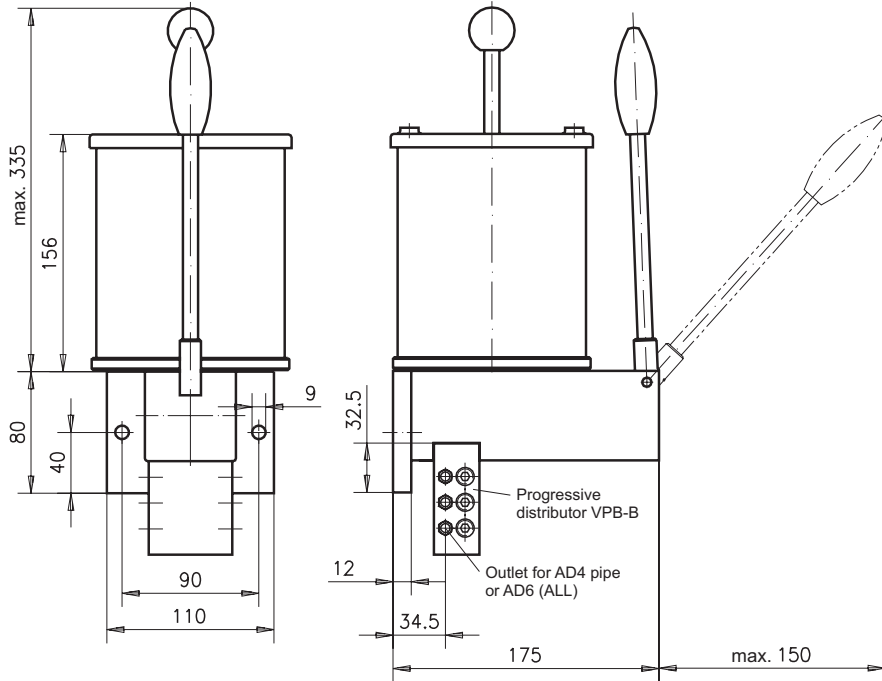
Hand pump PFH-P, tank 1,5l PVC, with VPB-A, 6 outlets, threaded pipe connections ø4, with display device, basic dispensers 20, 20, 14, sealing material perbunan.

### Purchasing-designation:

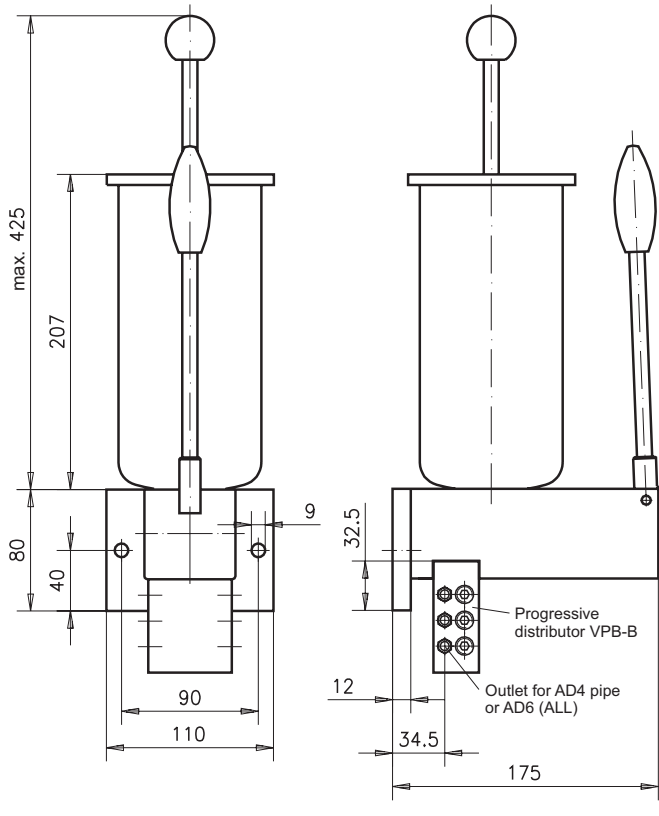
**PFH-P/1,5/6/4/S/20/20/14/P**



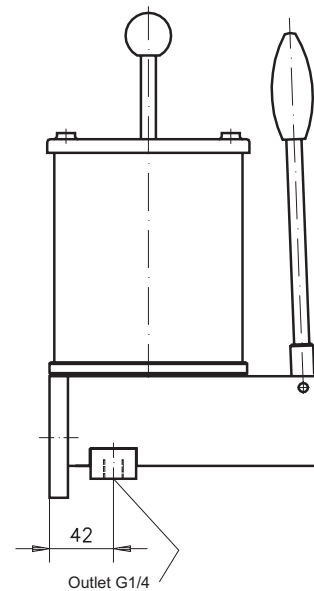
**Installation with  
1,5l PVC tank:**



**Installation with  
1,3l steel tank:**



**Installation without  
progressive distributor  
(single outlet):**



- Subject to modifications -