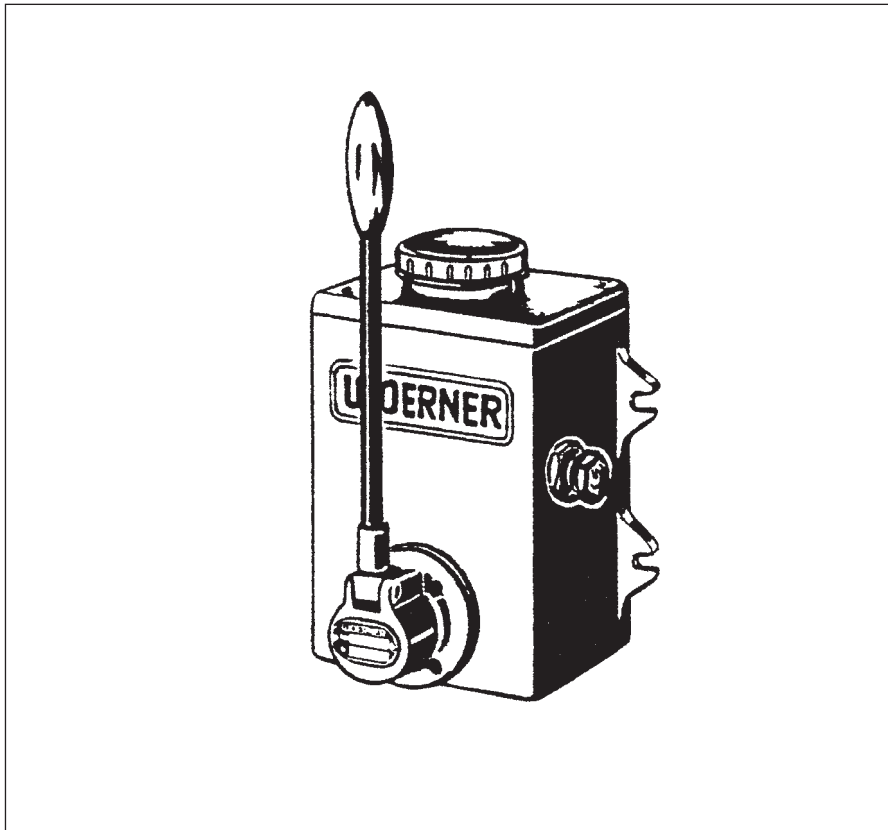
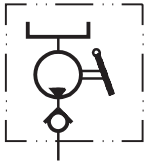




- Subject to modifications -



Hand pump PFH-L



Application:

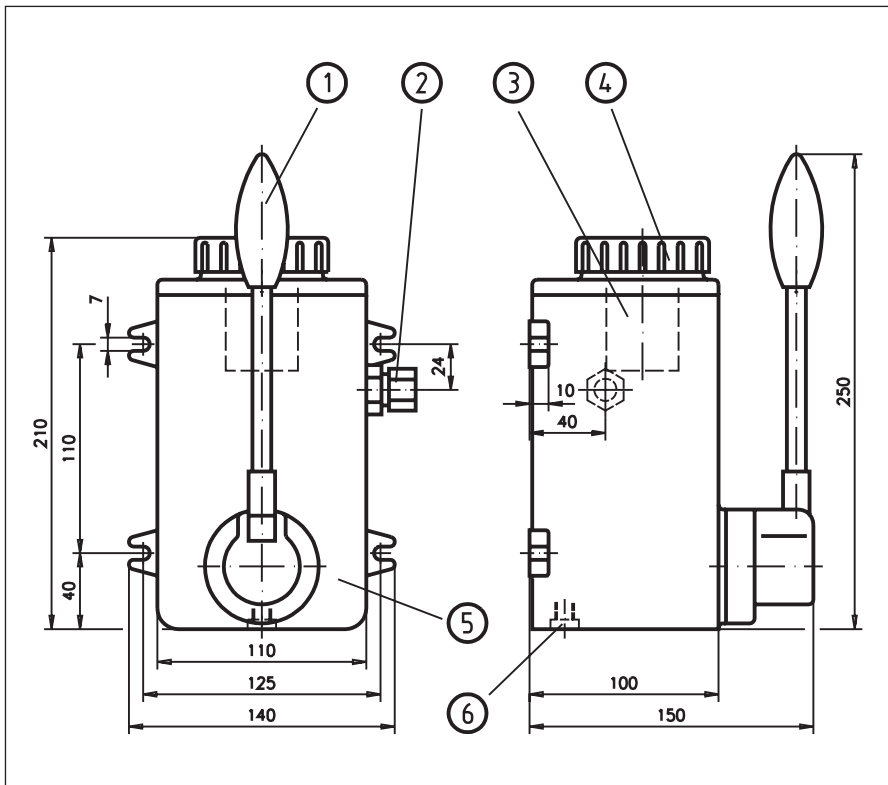
As delivery pump in central lubrication systems.

Technical data:

Delivery capacity: 3,2 cm³/stroke
 Delivery pressure at 70 N manual power¹⁾: approx. 10 bar
 Temperature range: -10 ... +80 °C
 Viscosity range: 6,3 ... 2700 cP
 Weight: 2,7 kg
 Reservoir capacity: 1 l

Material:

- Sealing: PTFE (Teflon)
- Reservoir and pump casing: Alu hard coated
- Pump internals, screwing and return valve: stainless steel 1.4571



¹⁾ The delivery pressure depends on the manual power applied. A pressure control valve is not incorporated.

Remark on dimensional drawing:

- 1 Hand lever
- 2 Pressure connection for pipe outside diameter 6 or 8
- 3 Filling sieve mesh width 300µm
- 4 Filling cap
- 5 Reservoir
- 6 Discharge screw M10x1

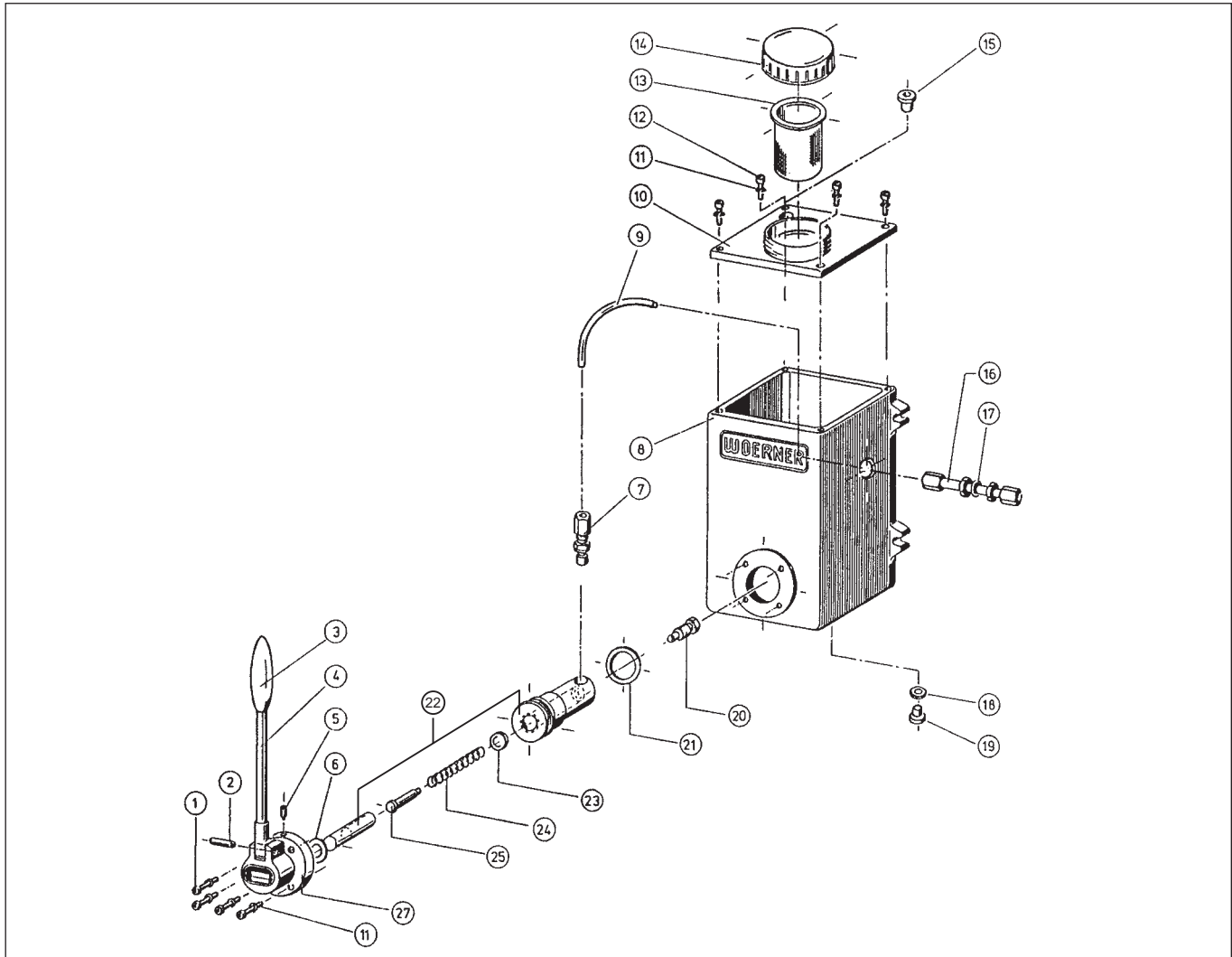
Purchase-designation:

Hand pump **PFH-L**

Type	Pressure connection for:
PFH-L	Pipe-AD 6 (6)
	Pipe-AD 8 (8)



Spare parts:



- Subject to modifications -

Item	Designation	Purch.-no.	Item	Designation	Purch.-no.	Item	Designation	Purch.-no.
1	Cheese head M4x20	800.912-06	10	Cover	101.603-35	19	Lock screw M10x1	800.908-23
2	Parallel straight pin 6x24	800.007-21	11	Split washer 4	807.980-01	20	Suction valve	101.914-65
3	Cranked grip M8x27	922.200-01	12	Cheese head M4x10	800.912-02	21	Sealing ring 36x42x1 T	915.100-86
4	Hand lever	151.011-45	13	Sieve B50	913.300-13	22	Pump body with delivery piston	101.851-64
5	Set screw M4x12	800.417-04	14	Tank cap D65	913.300-39	23	Lip ring I 16	915.402-01
6	Washer 34x2	101.908-45	15	Opening plug PG9	972.205-02	24	Pressure spring 1,6x10x59 Niro	911.200-96
7	Return valve	952.800-62	16	Straight panel screwing for PFH-L/8 Niro	101.871-65	25	Bolt	101.909-45
8	Reservoir for pressure connect. 8	101.853-25	17	Straight panel screwing for PFH-L/6 Niro	950.700-21	27	Casing	151.005-35
	for pressure connect. 6	101.874-25	18	Sealing ring 15x20x2 T	915.100-87		Sealing set	101.862-64
9	Pipe	101.927-45		Sealing ring 10x14x1 T	915.100-84			