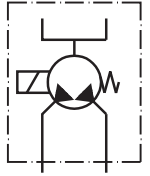




Delivery pump GMI-A



- Up to four outlets
- Compact construction
- Different driving power

Technical data:

Delivery volume per stroke and outlet: 30 mm³
 Number of strokes max.: approx. 200 min⁻¹
 Actuation time min.: approx. 0,1 s
 The actuation and off-times depend on the electric magnet, the number of digits, and the medium.
 Lubricant: Oil from 11 to 1900 cP
 Ambient temperature: -10 ... +50 °C
 Reservoir capacity: 0,7 l

Delivery pressure:
 The maximum delivery pressure mainly depends on the variant of the electromagnet and the number of outlets.

In case of units provided with several outlets, the counter pressures at the outlets should preferably be equal.

The table below shows the maximum delivery pressures per outlet each:

Number of outlets	Electromagnet variant	
	15 % ED	100 % ED
1	60 bar	20 bar
2	30 bar	10 bar
3	20 bar	7 bar
4	15 bar	5 bar

Version without reservoir:

Suction connection: G1/4

Mounting position: Suction connection above

Nozzle tube length: min. 25 mm
 max. 1000 mm

The ø4 nozzle tube can be bent manually.

Material:

Pump body: Aluminium

Reservoir: Polyethylene, transparent

Gaskets: Viton

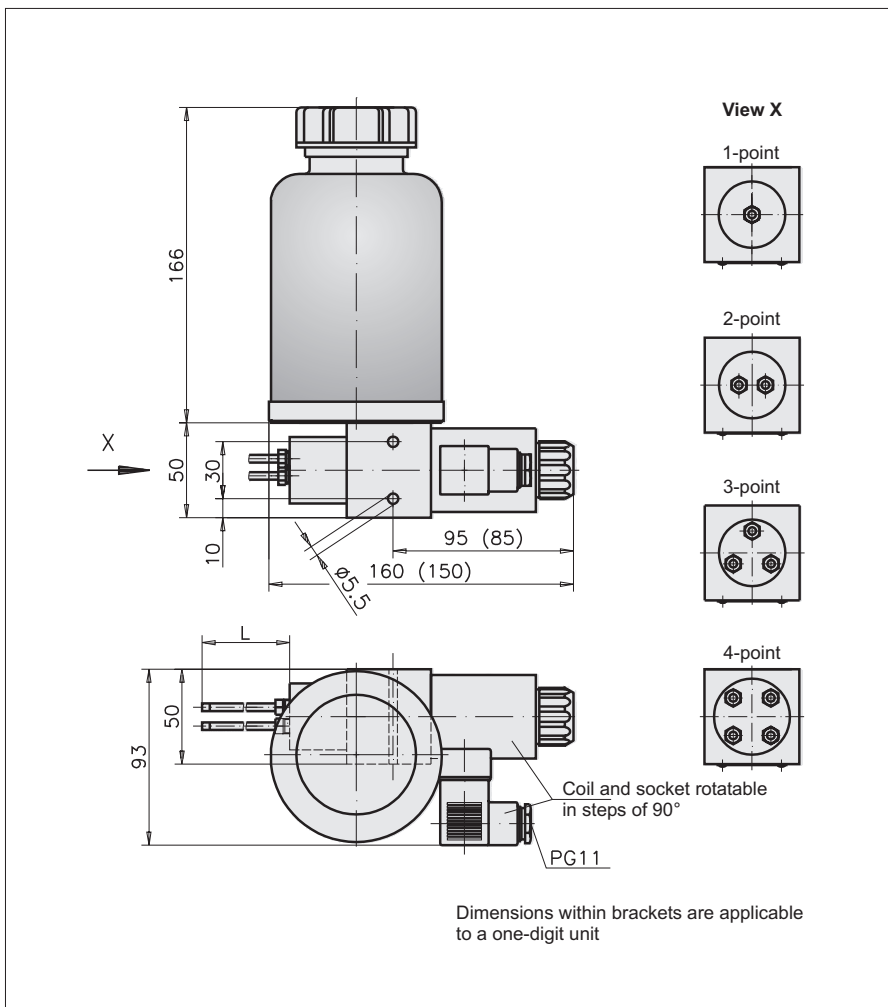
Weight:

GMI-A../0 1,15 kg

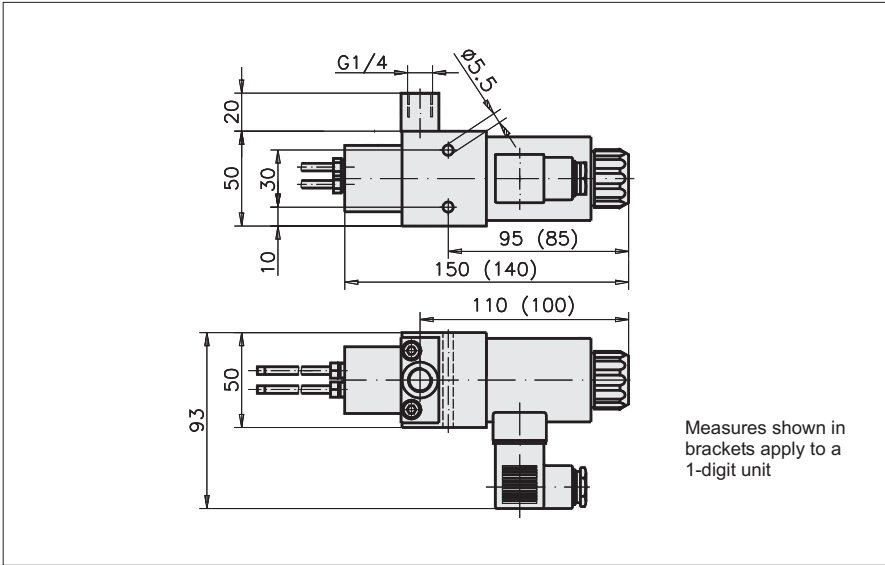
GMI-A../7 1,40 kg

Level switch 0,10 kg

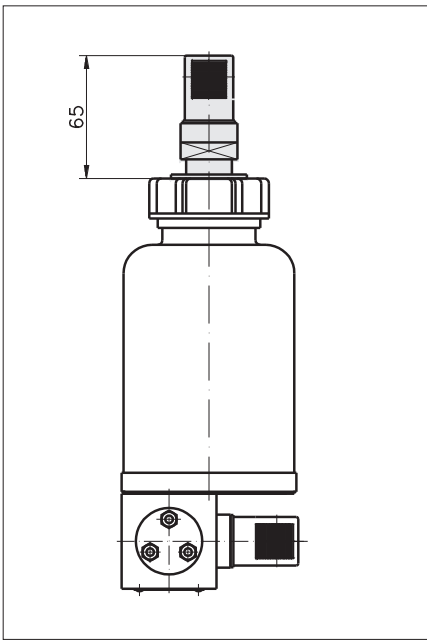
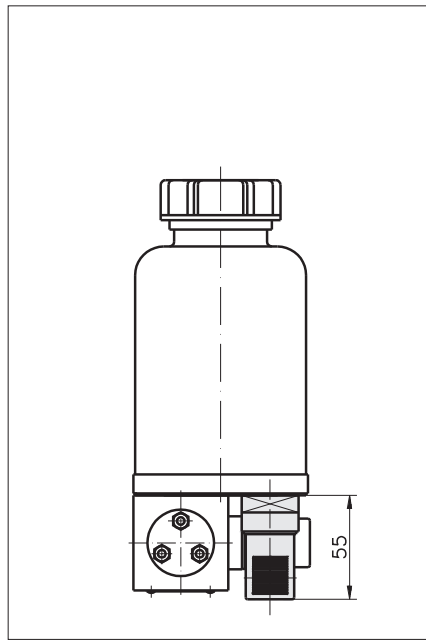
Lubricant: The intended lubricant must be suitable for use with centralized lubrication equipment.



- Subject to modifications -


Version without reservoir:

In the version without reservoir, a G1/4 female thread connection piece is mounted.

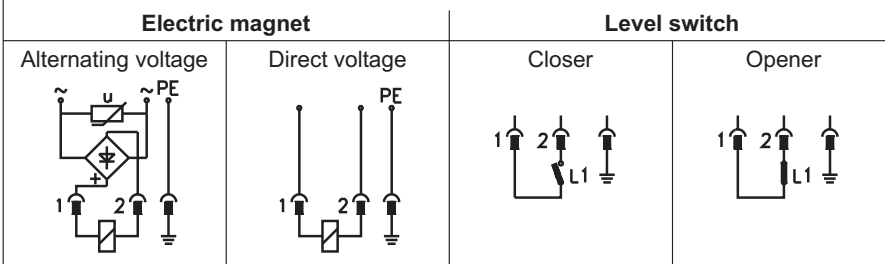
Level switch in the reservoir lid:

Level switch in the reservoir bottom:

Electrical data:
Level switch with minimal control:

Switching capacity:	10 W 30 VA
Switching current max.:	0,5 A
Switching voltage max.:	230 VUC
Protection type:	IP65
Plug connector:	DIN 43650

Electric magnet:

Insulation class:	F
Voltage:	24 VDC or 230 VAC
	Special voltage available, upon request!

Electric magnet		
Variante	"A"	"C"
Nominal power: [W]	30	121
Energized duty rating: [%]	100	15
Current at 24VDC: [A]	1,27	-
Current at 230VAC: [A]	0,15	0,59

Electrical connection diagrams


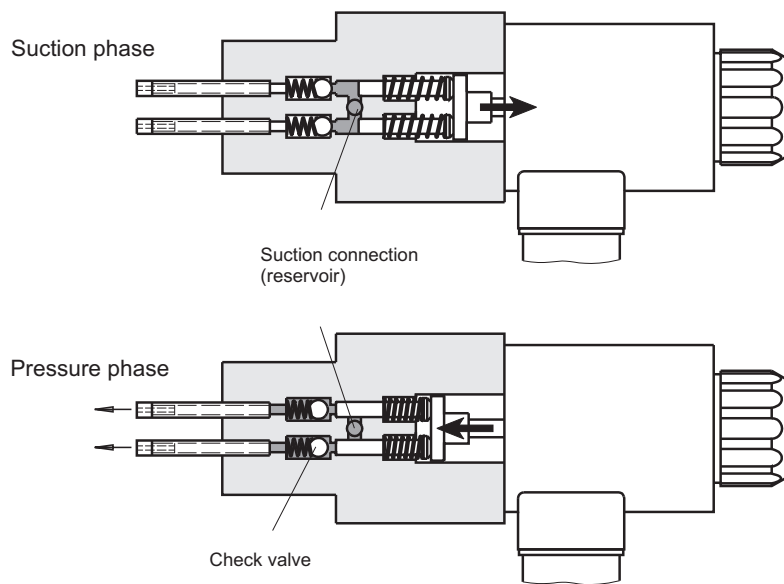
Protection type:	IP65
Plug connector:	DIN 43650

The electric magnet should always be operated by direct voltage. When connecting to an alternating voltage, direct voltage will be generated in the mains socket via the rectifier. Then the direct voltage at the electric magnet will be approximately 10% lower than the alternating voltage at the mains socket.

- Subject to modifications -



Function scheme:



Operation:

The delivery pump consists of a piston pump, an electric magnet and an oil reservoir.

Suction phase:

The pistons are reset by spring force with the lubricant being sucked in from the reservoir by virtue of the vacuum generated.

Compression phase:

Upon electric magnet actuation, the pistons start to deliver to lubricant through the nozzles to the lubricating points.

De-aerating:

In order to ensure a steady delivery, the delivery pump and the nozzle tubes need to be vented. To do this, the electric magnet is repeatedly operated until the lubricant in the nozzle appears free of air.

This operation can be shortened by ascending the nozzle tubes towards the outlet.

Assembly note:

The piston space is connected with the reservoir. Therefore the reservoir needs to be emptied prior to the electric magnet's disassembly.

Order-designation:

Delivery pump



- Subject to modifications -

Outlets		Reservoir	Pipe length	Level switch	Function control	Electric magnet	Connecting voltage
for pipe-AD 4	Connection thread G1/8	[l]	[mm]			Energized duty rating ED [%]	
1-point ①	1-point ①R	0,7 ⑦	100 ⑩	in the reservoir lid:	without ①	100 ①	24VDC ⑥1
2-point ②	2-point ②R			Closer ⑥		100 ①	230VAC ①1
		Opener ⑧	15 ③				
3-point ③		without ①	1000 ⑩	in the reservoir bottom:		Special magnet ¹⁾ ①*	①*
				Closer ⑥A			
4-point ④			without ①	Opener ⑧A			
				without ①		without electric magnet ²⁾ ①	①

Order-example:

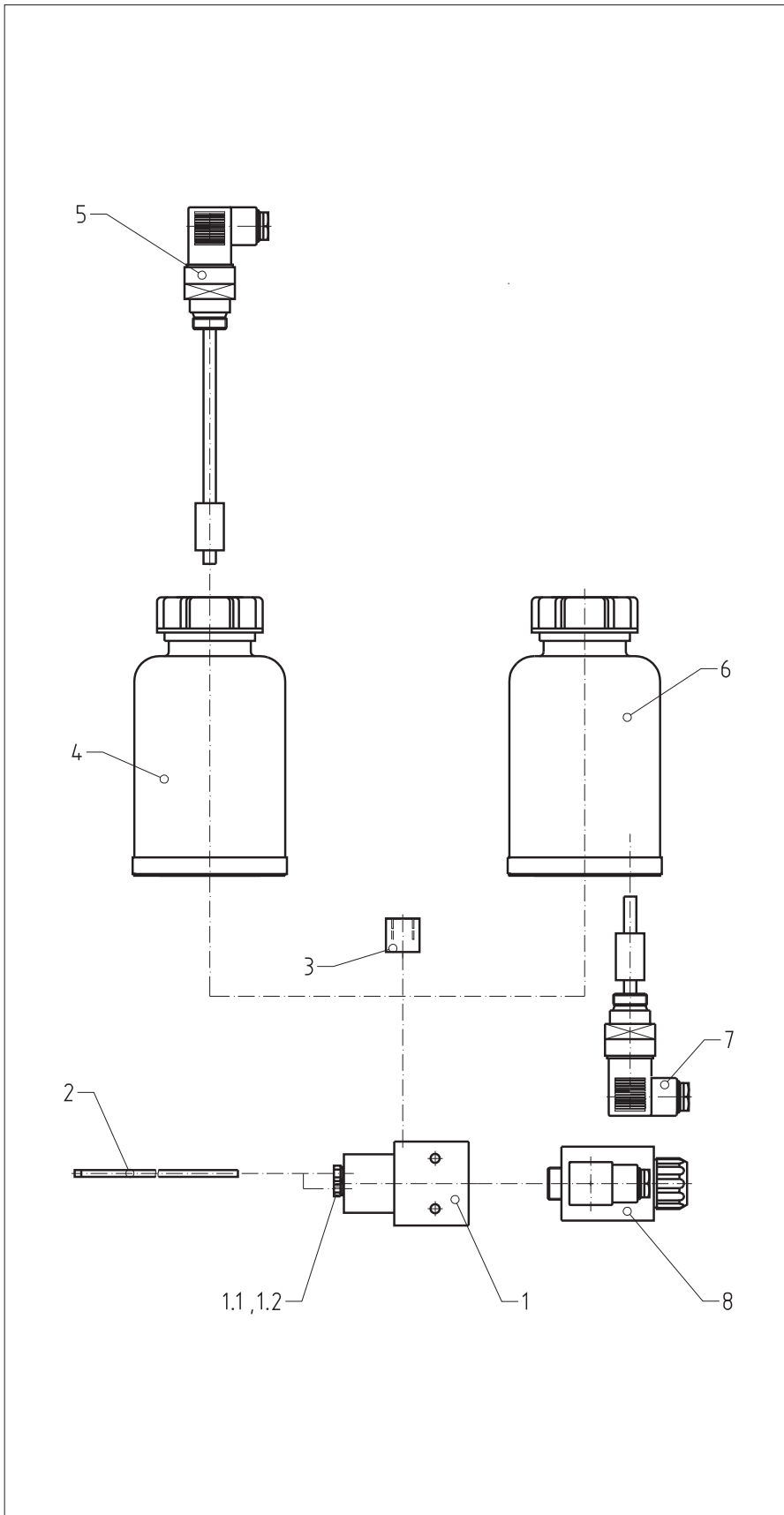
Delivery pump GMI-A, two-point, reservoir 0,7l, pipe length 100 mm, level switch (opener) in the reservoir lid, without function control, 100% ED, 24VDC.

Order-designation:

Delivery pump
GMI-A/2/7/100/8/0/A/G1

¹⁾ Magnets are available with special voltage upon request

²⁾ without electric magnet (spare part)



Spare parts:

Pos. Designation	Order-no.
------------------	-----------

Version for pipe-AD 4:

- 1 Pump body, including Pos. 1.1, 1.2
- 1-point "1": GMI-A/1/*/0/0/0/0/0
- 2-point "2": GMI-A/2/*/0/0/0/0/0
- 3-point "3": GMI-A/3/*/0/0/0/0/0
- 4-point "4": GMI-A/4/*/0/0/0/0/0

1.1 Union screw (1x per outlet)	803.871-01
---------------------------------	------------

1.2 Double-cone ring (1x per outlet)	953.300-01
--------------------------------------	------------

2 Nozzle tube 100 mm	330.278-65
Nozzle tube 500 mm	330.312-65
Nozzle tube 1000 mm	330.286-65

Version with thread connection G1/8:

- 1 Pump body
- 1-point "1R": GMI-A/1R/*/0/0/0/0/0
- 2-point "2R": GMI-A/2R/*/0/0/0/0/0

Version without reservoir:

3 Base plate G1/4	330.370-65
-------------------	------------

Version without level switch:

4 Reservoir 0,7 l without lid	330.360-65
Lid	165.327-65

Version level switch in the reservoir lid:

4 Reservoir 0,7 l without lid	330.360-65
-------------------------------	------------

5 Level switch with reservoir lid	
6 (Closer)	165.328-65
8 (Opener)	165.329-65

Version level switch in the reservoir bottom:

6 Reservoir 0,7 l with lid	330.377-65
----------------------------	------------

7 Level switch	
6A (Closer)	477.053-65
8A (Opener)	468.213-65

Electric magnet:

8 Electric magnet A/G1 24 VDC 100 % ED	330.392-65
Electric magnet A/W1 230 VAC 100 % ED	330.394-65
Electric magnet C/W1 230 VAC 15 % ED	330.396-65

without picture:

Gasket set	105.206-64
------------	------------

Assembly note:

Before dismantling the electro magnet, the reservoir must be emptied.

- Subject to modifications -