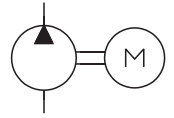


**Gear pump aggregate  
GFM-L**



**Technical data:**

Medium: Mineral oil  
Please, contact us, if different media are to be used.

Lubricant: The intended lubricant must be suitable for use with centralized lubrication equipment.

Viscosity: 16 ... 1350 cP

Medium temperature: -15 ... +80 °C

Ambient temperature: -20 ... +40 °C

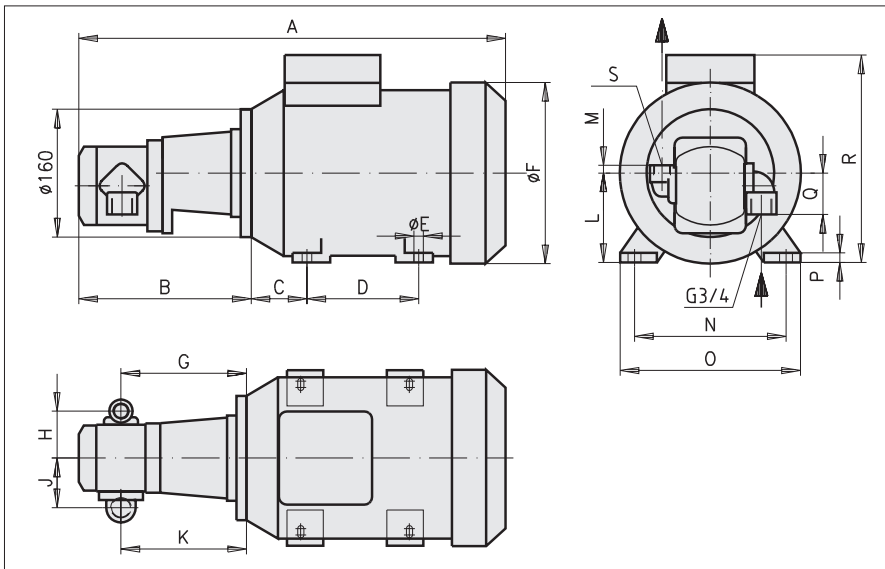
Delivery pressure: see overleaf

Volume flow: 2,8 ... 37,0 l/min  
Volume flow depends on medium viscosity, operating pressure, and pump speed.

Materials:  
Gasket: NBR or FPM  
Media-contacted parts: St, Al

Motor:  
Construction type: B 34 acc. to  
DIN IEC 34 part 7

Flange: C160 acc. to DIN 42948  
Mounting dimensions and allocation of services in conformity with DIN 42677.



- Subject to modifications -

Volume flow [l/min]	A [mm]	B [mm]	C [mm]	D [mm]	E [mm]	F [mm]	G [mm]	H [mm]	J [mm]	K [mm]	L [mm]	M [mm]	N [mm]	O [mm]	P [mm]	Q [mm]	R [mm]	S [mm]	
2,8	457	176					137												
3,8	461	180	56	100	10	180	139	50	56		90	11	140	165	10	52	218	G3/8	
4,2	511	199	63	140	12	203	154	60,5	60	154	100	9,5	160	196	12	57	235	G1/2	
5,9	461	180	56	100	10	180	139	50	56	129	90	11	140	165	10	52	218	G3/8	
6,1	532		70			227					112		190	226			260		
6,5	511	199	63			203					100		160	196			235		
7,5	517	205	70			227	154			154	112		190	226			260		
7,7	538		63			203					100		160	196			235		
9,1	511	199	63			203					100		160	196			235		
9,3	532																		
10,8	549	216					162												
11,7	538	205	70			227	154				112		190	226			260		
12,9	549	216					162												
15,6	559	226					167												
16,5	549	216		140	12		162	60,5	60	162									
17,9	544	232	63			203	170				100	9,5	160	196	12	57	235	G1/2	
18,2	565	232																	
19,8	549	216					162												
21,5	571	238					173												
23,8	559	226	70			227	167				112		190	226			260		
24,2	577	244					176												
27,8	565	232					170												
32,8	571	238					173												
36,5	556		63			203					100		160	196			235		
37	577	244	70			227	176			176	112		190	226			260		



**Purchase-designation:**

Gear pump aggregate



Volume flow [l/min]	max. permissible delivery pressure [bar]	Motor group	Motor synchronous speed [min <sup>-1</sup> ]	Rated motor power [kW]	Gasket material	Motor voltage / frequency
2,8	150	A	1000	1,1	NBR (Perbunan) Ⓟ	230/400 V 50 Hz IP55
3,8	110					
4,2	135	C	1500	1,5		
5,9	95	B				
6,1	140	F	1000	2,2		
6,5	130	D	1500			
6,5	175	E		1500		
7,5	75	C	1000	1,5		
7,7	110	F	1500	2,2		
9,1	95	D				
9,1	130	E	1500	3,0		
9,3	165	G	1000	4,0		
10,8	78	F				
11,7	131	G	1500	4,0		
12,9	65	F	1000	2,2		
15,6	54					
16,5	93	G	1500	4,0		
17,9	32	C	1000	1,5		
18,2	46	F				
18,2	46	F	1000	2,2		
19,8	77	G	1500	4,0		
21,5	39	F	1000	2,2		
23,8	65	G	1500	4,0		
24,2	35	F	1000	2,2		
27,8	55	G	1500	4,0		
32,8	46					
36,5	31	E	1500	3,0		
37,0	41	G				

Special motor type available on request

- Subject to modifications -

**Spare part numbers:**

Volume flow [l/min]	Delivery volume [cm <sup>3</sup> /U]	Purchase-no. gear pump		Purchase-no. Clutch
		Gasket NBR	Gasket FPM	
2,8	3,18	351.356-64	351.376-64	355.288-65
3,8	4,24	351.358-64	351.378-64	
4,2	4,6	351.201-65	351.220-65	
5,9	4,24	351.358-64	351.378-64	
6,1	6,5	351.206-65	351.221-65	
6,5	4,6	351.201-65	351.220-65	
7,5	8,2	351.207-65	351.227-65	
7,7				
9,1	6,5	351.206-65	351.221-65	
9,3				
10,8	11,5	351.202-65	351.222-65	
11,7	8,2	351.207-65	351.227-65	
12,9	13,8	351.211-65	351.223-65	
15,6	16,6	351.212-65	351.224-65	
16,5	11,5	351.202-65	351.222-65	
17,9	19,4	351.203-65	351.225-65	
18,2				
19,8	13,8	351.211-65	351.223-65	
21,5	22,9	351.213-65	351.226-65	
23,8	16,6	351.212-65	351.224-65	
24,2	25,8	351.214-65	351.228-65	
27,8	19,4	351.203-65	351.225-65	
32,8	22,9	351.213-65	351.226-65	
36,5	25,8	351.214-65	351.228-65	
37,0				

**Purchase-example:**

Gear pump aggregate with a delivery volume of 16,5 l/min, motor group G, gasket material NBR, motor voltage 230/400V, frequency 50Hz and system of protection IP55

**Purchase-designation:**

**GFM-L / 16,5 / G / P : 230/400V 50Hz IP55**

Calculation of volume flows has been based on motor speeds as follows (at  $\eta_v = 0,95$ ):

Motor group	Motor size	Rated motor speed [1/min]
A	90	900
B		1405
C	100	925
D		1415
E		1415
F	112	940
G		1435