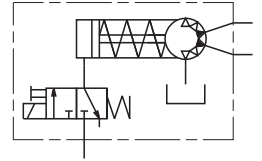


**Pump aggregate
GME-D**



Use:

As pump aggregate in central lubrication systems

Technical data:

Number of outlets:	2, 4, 6
Delivery volume	
per stroke and outlet:	0,4 cm ³
Delivery pressure:	s. diagram
Operating pressure at max.:	20 bar
Driving pressure at min.:	4 bar
at max.:	10 bar
Viscosity range:	3,2 ... 1300 cSt
Temperature range:	10 ... 50 °C
Reservoir:	Aluminium
Storage capacity:	5 or 10 l

Lubricant: The intended lubricant must be suitable for use with centralized lubrication equipment.

**Electrical data:
(directional control valve):**

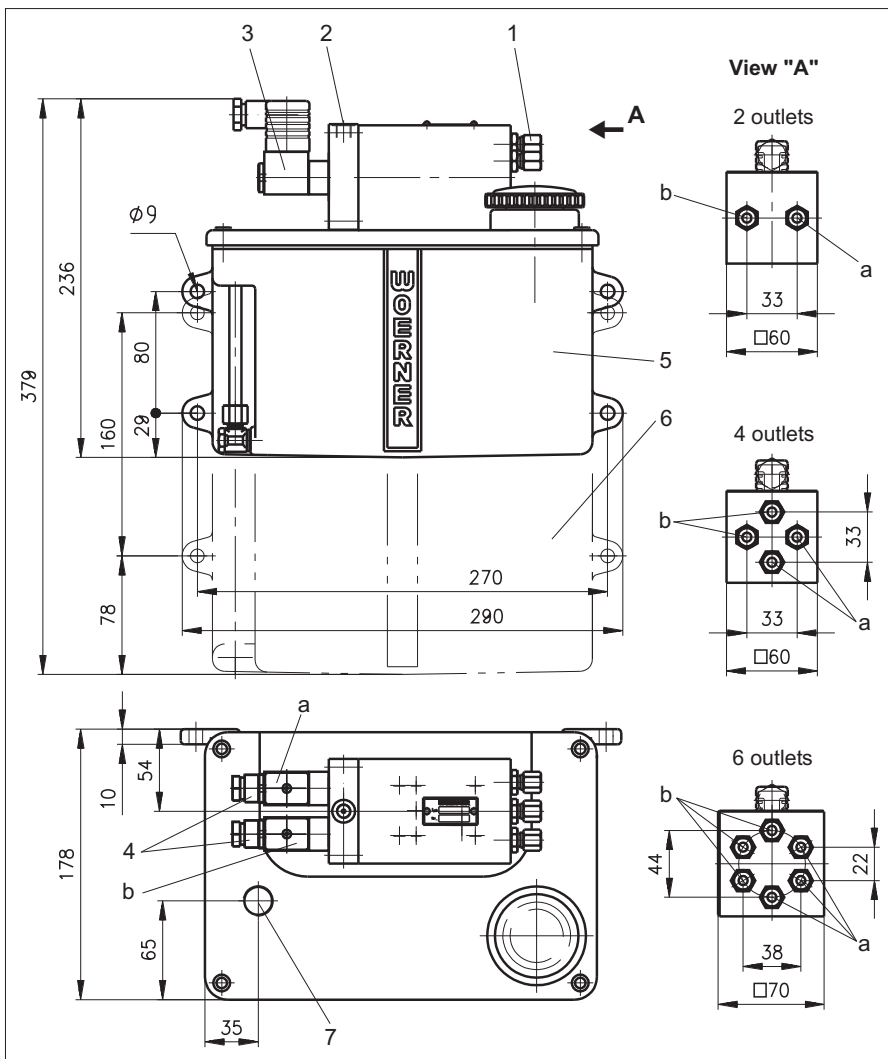
Power consumption:	5 W
Relative duty ratio:	100 % ED
System of protection:	IP 65
	acc. to DIN 40050
Plug-in connection:	DIN 46350-B
Voltage:	see purchase-designation
Special voltage	
and frequency:	available on request

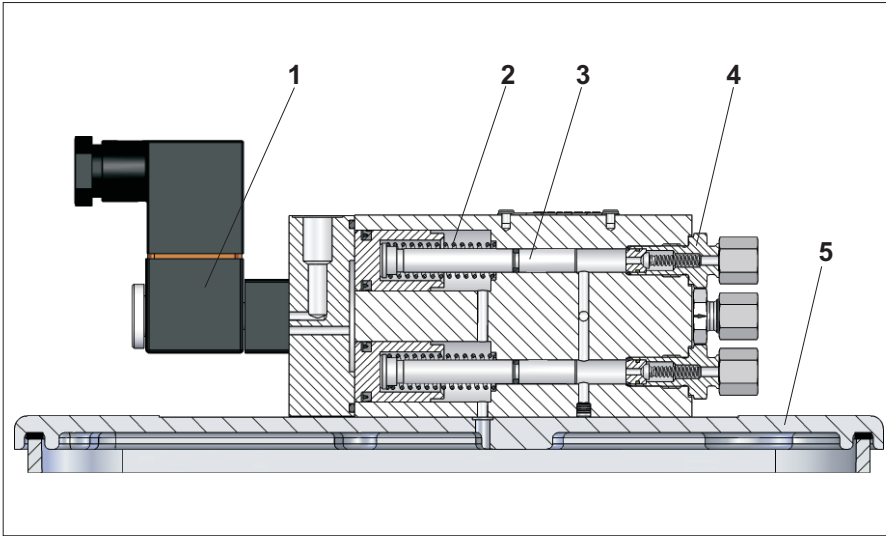
Note to dimensional drawing:

- 1 = Outlets with pipe connection Ø 6
- 2 = Air connector G1/8
- 3 = Directional control valve
- 4 = Version with two directional control valves
- 5 = Reservoir 5l
- 6 = Reservoir 10l
- 7 = Position of level switch
- a = Solenoid valve "a"
- b = Solenoid valve "b"

In the version with two directional control valves, outlets "a" are actuated with solenoid valve "a", outlets "b" with solenoid "b".

- Subject to modifications -





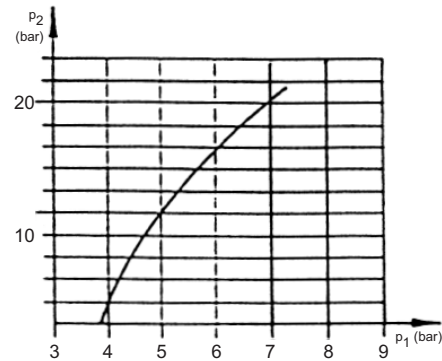
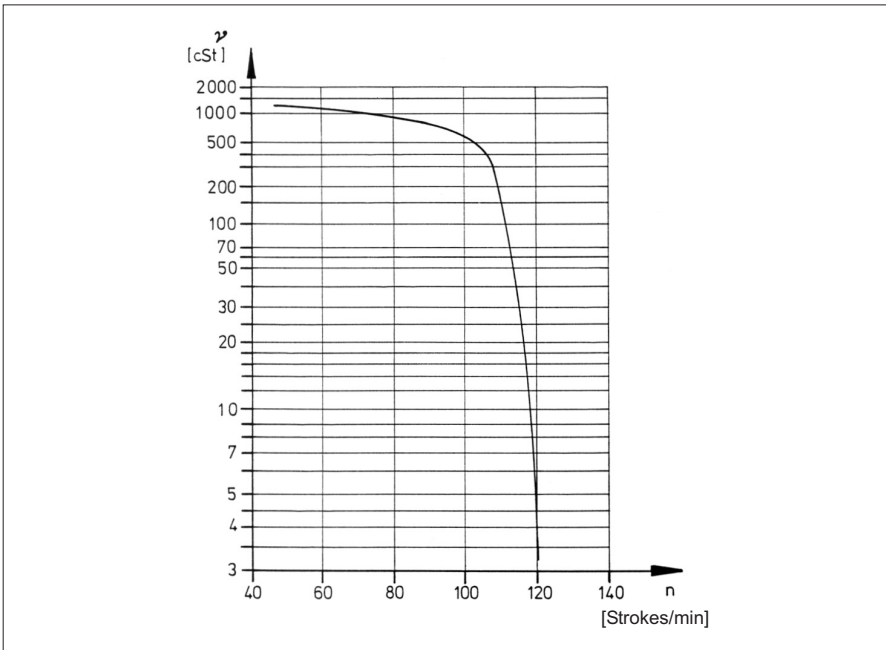
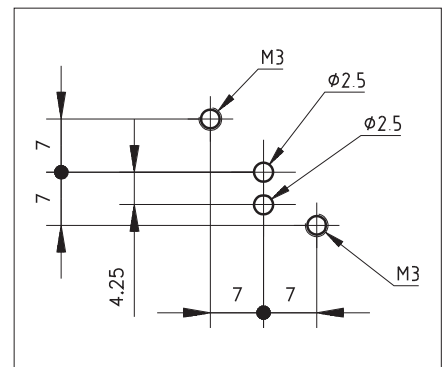
Operation:

The pump is operated by means of compressed air via a 3/2-port-directional solenoid valve (1).

At suction stroke, the spring (2) pushes the delivery piston (3) into the left-side home position. Concurrently, the resulting vacuum causes the oil to be drawn from the reservoir (5).

At delivery stroke, the medium is supplied to the lubrication point through a check valve (4).

Connection diagramm for way valve:



p_1 = Driving pressure
 p_2 = Delivery pressure

- Subject to modifications -

Purchase-designation:

Pump aggregate **GME-D** / ○ / ○ / ○ / ○ / ○ / ○ / ○

Number of outlets	For number of valves	Valves	Plug-in connection	Reservoir	Level switch ¹⁾	Voltage
②		with ⑤	without ①	5 l ⑤	without ①	24 VDC
④	①	without ①	with ②	10 l ⑩	pre-prepared ⑤	24 VAC
⑥	②	with ⑤	without ①	5 l ⑤	without ①	110 VDC
		without ①	with ②	10 l ⑩	pre-prepared ⑤	110 VAC
			with DIN 43650-B			230 VAC

¹⁾ Prepared for KFH-F see leaflet-no P0400
 L1 at 5l-reservoir 110 mm
 L1 at 10l-reservoir 230 mm