

Shaft Locking Devices



Lovejoy

SHAFT LOCKING DEVICES

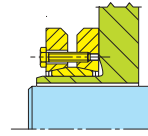
Shaft Locking Devices

External Shaft Locking Device Available sizes: Page #



SLD 900

- Self-centering
- Exceptional concentricity
- Suitable for hollow shafts
- Axial hub position fixed during clamping



Metric 14mm to 240mm
Larger sizes on request

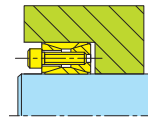
4

Internal Shaft Locking Devices Available sizes: Page #



SLD 1500

- Medium high torque
- Self releasing
- Not self-centering
- Axial hub position fixed during clamping



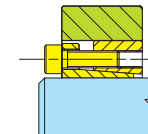
Metric shafts 17mm to 400mm
Inch shafts 3/4" to 7-15/16"
Larger sizes on request

6



SLD 1850

- High torque
- Exceptional concentricity
- Self-centering
- Axial hub position can move during clamping



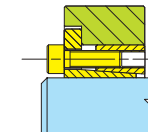
Metric shafts 18mm to 200mm
Inch shafts 3/4" to 4"
Larger sizes on request

8



SLD 1750

- High torque
- Exceptional concentricity
- Self-centering
- Axial hub position fixed during clamping



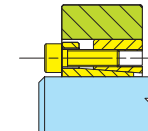
Metric shafts 18mm to 200mm
Inch shafts 3/4" to 4"
Larger sizes on request

10



SLD 1350

- High torque
- Exceptional concentricity
- Self-centering
- Axial hub position can move during clamping



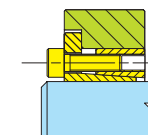
Metric shafts 18mm to 200mm
Inch shafts 3/4" to 4"
Larger sizes on request

12



SLD 1450

- High torque
- Exceptional concentricity
- Self-centering
- Axial hub position fixed during clamping



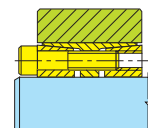
Metric shafts 18mm to 200mm
Inch shafts 3/4" to 4"
Larger sizes on request

14



SLD 2600

- Heavy duty
- Very high torque
- Self-centering
- Exceptional concentricity



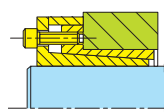
Metric shafts 25mm to 240mm
Inch shafts 1" to 6 1/2"
Larger sizes on request

16



SLD 1900

- Medium torque
- Allows smaller diameter hubs
- Exceptional concentricity
- Self-centering
- Axial hub position fixed during clamping



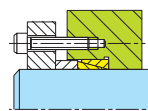
Metric shafts 6mm to 130mm
Inch shafts 3/4" to 2-15/16"
Larger sizes on request

18



SLD 350

- Low torque
- Small radial dimensions
- Can be combined for greater torque capacity



Metric shafts 6mm to 150mm
Also available with cut ring
Larger sizes on request

20

Overview

Lovejoy Shaft Locking Devices connect hubs solidly to shafts, using a keyless mechanical interference fit, to transmit torque or to withstand axial thrust. This mechanical interference fit utilizes screw tension in the Shaft Locking Device, converted into radial pressure via an inclined plane. This pressure expands the Shaft Locking Device to eliminate the gap between the hub and the shaft. The Shaft Locking Device uses the friction bond between the Shaft Locking Device and the shaft/hub to create a zero backlash connection. This connection is easily releasable to remove the mechanical interference fit.

Lovejoy Shaft Locking Devices expand to fill the gap between the shaft and hub, allowing for easy installation and removal, saving time over traditional interference fit techniques. The contact pressures created using a Shaft Locking Device can be greater than traditional interference fit pressures, allowing for more torque to be transmitted or shorter hubs to be used. The easy installation also allows the hub to be positioned more accurately on the shaft, and can facilitate angular timing of the hub.

Benefits

Versus Traditional Keyed connections

- No Backlash due to fit tolerances
- No impact effect from reversing loads
- Ability to adjust axial position and angular timing
- No fretting corrosion due to movement at the fit interface

Versus Traditional Interference fits

- Easier and quicker to install
- Higher contact pressures can transmit greater torques
- Easy and quick to remove without damaging the shaft or hub - even after years of service

Design benefits

- Eliminate cost of machining keyways or splines
- Reduce the shaft stress by removing keyways or splines
- Eliminating keyways often allows the use of a smaller diameter shaft
- Can place anywhere on shaft, and allows for easy angular timing
- Easy removal without damaging the shaft or hub means easier maintenance for your customer

Lovejoy SLD offers several types of Shaft Locking Devices, designed to be used in just about any application where a shaft connects to a hub.

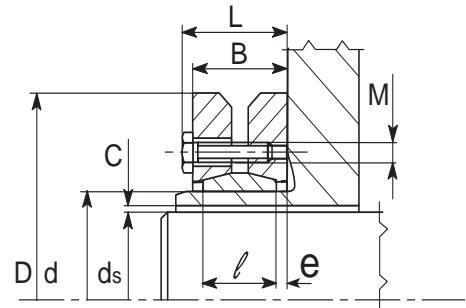
See Back Cover For Important Safety Instructions

Shaft Locking Devices



SLD 900 series

d	= hub OD diameter
T	= tolerance of hub OD
d _s	= shaft diameter
D	= outer diameter of disc
L	= total width of disc (relaxed state)
B	= width of thrust rings (relaxed state)
l	= length of contact
e	= width of gap (relaxed state)
C	= maximum radial clearance (shaft to hub)
M _t	= maximum transmissible torque
M _A	= screw tightening torque

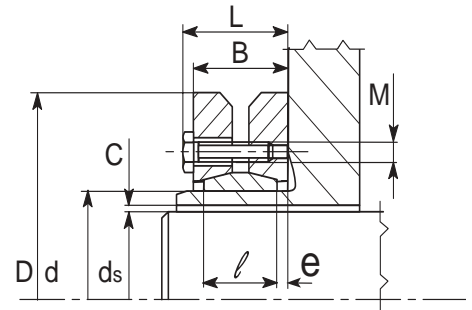


Size (mm)	Shaft Locking Device Dimensions									Max. M _t (ft-lb)	Locking Screws			Weight (lb)
	d (in)	T (in)	d _s (in)	D (in)	L (in)	B (in)	l (in)	e (in)	C Max (in)		Qty	Size	M _A (ft-lb)	
14	0.551	+0 -0.0013	0.433 0.472	1.496	0.591	0.433	0.354	0.039	0.000551	22 37	4	M5	3	0.33
16	0.630		0.472 0.551	1.614	0.728	0.591	0.433	0.079	0.000551	37 66	5	M5	3	0.44
20	0.787		0.551 0.728	1.969	0.906	0.748	0.551	0.098	0.000669	79 156	6	M5	3	0.44
24	0.945		0.728 0.866	1.969	0.906	0.748	0.551	0.098	0.000669	120 210	6	M5	3	0.44
30	1.181	+0 -0.0015	0.866 1.063	2.362	0.984	0.827	0.630	0.098	0.000669	177 306	6	M5	4	0.66
36	1.417		1.063 1.220	2.835	1.063	0.906	0.709	0.098	0.000669	297 465	5	M6	9	0.99
44	1.732		1.260 1.496	3.150	1.142	0.984	0.787	0.098	0.001260	465 719	7	M6	9	1.32
50	1.969		1.496 1.654	3.543	1.220	1.063	0.866	0.098	0.001260	693 959	8	M6	9	1.76
55	2.165	+0 -0.0018	1.654 1.890	3.937	1.339	1.181	0.906	0.138	0.001260	885 1,401	8	M6	9	2.43
62	2.441		1.890 2.047	4.331	1.339	1.181	0.906	0.138	0.001260	1,328 1,770	10	M6	9	2.87
68	2.677		1.969 2.362	4.528	1.339	1.181	0.906	0.138	0.001496	1,475 2,286	10	M6	9	3.09
75	2.953		2.165 2.559	5.433	1.496	1.299	0.984	0.157	0.001890	1,844 2,876	7	M8	22	3.75
80	3.150	+0 -0.0021	2.362 2.756	5.709	1.496	1.260	0.984	0.138	0.001890	2,360 3,393	7	M8	22	4.85
90	3.543		2.559 2.953	6.102	1.772	1.535	1.181	0.177	0.001890	3,467 5,310	10	M8	22	7.28
100	3.937		2.756 3.150	6.693	1.949	1.732	1.339	0.197	0.001890	5,089 6,638	12	M8	22	10.14
110	4.331		2.953 3.346	7.283	2.244	1.969	1.535	0.217	0.001890	5,310 8,113	9	M10	44	13.01
115	4.528	+0 -0.0025	3.150 3.543	7.402	2.244	1.969	1.535	0.217	0.001890	6,269 8,851	9	M10	44	13.89
125	4.921		3.346 3.740	8.465	2.402	2.126	1.654	0.236	0.002205	8,113 11,063	12	M10	44	18.96
130	5.118		3.543 3.937	8.465	2.323	2.047	1.654	0.197	0.002205	10,105 13,424	12	M10	44	18.08
140	5.512		3.740 4.134	9.055	2.677	2.362	1.811	0.276	0.002205	11,063 14,751	10	M12	74	22.05
155	6.102	+0 -0.0028	4.134 4.528	10.433	2.756	2.441	1.969	0.236	0.002717	14,751 19,177	12	M12	74	33.07
165	6.496		4.528 4.921	11.417	3.071	2.677	2.205	0.236	0.002717	26,552 32,453	8	M16	184	48.50
175	6.890		4.921 5.315	11.811	3.071	2.677	2.205	0.236	0.003110	29,502 36,141	8	M16	184	50.71
185	7.283		5.315 5.709	12.992	3.780	3.386	2.795	0.295	0.003110	40,566 47,942	10	M16	184	79.37
195	7.677	+0 -0.0028	5.512 6.102	13.780	3.780	3.386	2.795	0.295	0.003110	48,679 60,480	12	M16	184	88.18
200	7.874		5.906 6.299	13.780	3.780	3.386	2.795	0.295	0.003110	56,055 65,643	12	M16	184	105.82
220	8.661		6.299 6.693	14.567	4.488	4.094	3.465	0.315	0.003110	70,068 81,132	15	M16	184	119.05
240	9.449		6.693 7.480	15.945	4.803	4.291	3.622	0.335	0.003110	88,507 118,010	12	M20	361	147.71

SLD 900 series

Ordering example:

Brand	Model	Units	Size
SLD	900	MM	50



Selection:

- Determine the shaft diameter to be used, or the maximum torque to be transmitted.
- If shaft diameter is the primary consideration, verify that the maximum torque to be transmitted is less than the maximum number listed.
 - If Torque is the primary consideration, use the table to determine the shaft size.

Torque range:

The maximum torque transmission for shaft diameter between those listed can be approximated using the following formula:

$$T_a = \left[\frac{S_a - S_{min}}{S_{max} - S_{min}} \right] \times \left[T_{max} - T_{min} \right] + T_{min}$$

Where:

S_a	= actual shaft size (in)	T_a	= actual torque
S_{min}	= minimum shaft size listed (in)	T_{min}	= minimum torque listed
S_{max}	= maximum shaft size listed (in)	T_{max}	= maximum torque listed

Mounting against the hub face:

If the SLD 900 is to be mounted against the hub face, we recommend that the hub be undercut with a radius $R \geq e$.

Installation:

- Clean the hub OD and SLD 900 bore, and lightly lubricate the hub OD.
- Clean and lightly oil the shaft and hub bore.
- Insert the shaft or place the hub in the proper position on the shaft.
- Hand tighten 3 or 4 equally spaced locking screws while making sure the 900 is parallel to the shaft, then hand tighten the remaining locking screws.
- Use a torque wrench to gradually tighten all locking screws in sequence. You will probably need to tighten all locking screws more than once until the specified screw tightening torque M_A is reached.
- Verify that the screws are tightened to the specified tightening torque.

Removal:

Note: Prior to loosening any locking screws, ensure that no torque or thrust loads are acting on the shaft, hub, or locking assembly.

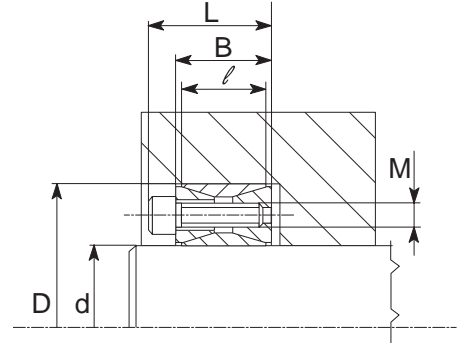
- Gradually loosen the locking screws sequentially. Do not loosen any screws more than 1/2 turn at a time to avoid jamming the collars, and do not remove the screws completely.
- remove any rust buildup on the shaft in front of the hub prior to removing the hub.

Shaft Locking Devices



SLD 1500 inch series

d	= shaft diameter
T ₁	= tolerance of shaft
D	= outer diameter of shaft locking device
T ₂	= tolerance of hub bore
B	= width of thrust rings (relaxed state)
l	= length of contact
L	= total width (relaxed state)
F	= maximum transmissible axial force
Mt	= maximum transmissible torque
pH	= pressure on the hub
pS	= pressure on the shaft
M _A	= screw tightening torque



Size (in)	Shaft Locking Device Dimensions							Max. F (lbf)	Max. Mt (ft-lb)	Pressures		Locking Screws		
	d (in)	T ₁ (in)	D (in)	T ₂ (in)	B (in)	l (in)	L (in)			pH (psi)	pS (psi)	Qty	Size	M _A (ft-lb)
3/4	0.7500	+0	1.850	-0	0.787	0.669	1.023	6,208	194	13,293	32,789	8	M6	11
7/8	0.8750	-0.0013	1.850	+0.002	0.787	0.669	1.023	6,199	226	13,293	28,105	8	M6	11
1	1.0000		1.969		0.787	0.669	1.023	6,192	258	12,490	24,592	8	M6	11
1 1/8	1.1250		2.165		0.787	0.669	1.023	9,301	436	17,038	32,789	12	M6	11
1 3/16	1.1875		2.159		0.813	0.669	1.049	9,297	460	17,086	31,064	12	M6	11
1 1/4	1.2500		2.362		0.787	0.669	1.023	9,312	485	15,617	29,511	12	M6	11
1 3/8	1.3750		2.365		0.787	0.669	1.023	9,303	533	15,598	26,828	12	M6	11
1 7/16	1.4375		2.559		0.787	0.669	1.023	11,637	697	18,019	32,077	15	M6	11
1 1/2	1.5000	+0	2.559	-0	0.787	0.669	1.023	11,632	727	18,019	30,740	15	M6	11
1 5/8	1.6250	-0.0025	2.953	+0.0025	0.945	0.787	1.260	17,516	1,186	19,993	36,331	12	M8	27
1 11/16	1.6875		2.953		0.945	0.787	1.260	17,522	1,232	19,993	34,986	12	M8	27
1 3/4	1.7500		2.953		0.945	0.787	1.260	17,513	1,277	19,993	33,736	12	M8	27
1 7/8	1.8750		3.150		0.945	0.787	1.260	17,510	1,368	18,742	31,487	12	M8	27
1 15/16	1.9375		3.150		0.945	0.787	1.260	16,487	1,331	17,640	28,679	12	M8	27
2	2.0000		3.346		0.945	0.787	1.260	20,604	1,717	20,758	34,728	15	M8	27
2 1/8	2.1250		3.346		0.945	0.787	1.260	20,612	1,825	20,758	32,686	15	M8	27
2 3/16	2.1875		3.543		0.945	0.787	1.260	20,604	1,878	19,604	31,752	15	M8	27
2 1/4	2.2500		3.543		0.945	0.787	1.260	20,608	1,932	19,604	30,870	15	M8	27
2 3/8	2.3750		3.531		0.945	0.787	1.260	20,605	2,039	19,671	29,245	15	M8	27
2 7/16	2.4375		3.740		0.945	0.787	1.260	20,608	2,093	18,571	28,495	15	M8	27
2 1/2	2.5000	+0	3.740	-0	0.945	0.787	1.260	20,611	2,147	18,571	27,783	15	M8	27
2 9/16	2.5625	-0.0030	3.737	+0.003	0.945	0.787	1.260	20,605	2,200	18,586	27,105	15	M8	27
2 5/8	2.6250		4.331		1.102	0.945	1.496	31,122	3,404	20,169	33,276	15	M10	52
2 11/16	2.6875		4.331		1.102	0.945	1.496	31,122	3,485	20,169	32,503	15	M10	52
2 3/4	2.7500		4.337		1.102	0.945	1.496	31,121	3,566	20,141	31,764	15	M10	52
2 7/8	2.8750		4.528		1.102	0.945	1.496	31,121	3,728	19,291	30,383	15	M10	52
2 15/16	2.9375		4.528		1.102	0.945	1.496	31,120	3,809	19,291	29,736	15	M10	52
3	3.0000		4.724		1.102	0.945	1.496	31,120	3,890	18,491	29,117	15	M10	52
3 1/8	3.1250		4.724		1.102	0.945	1.496	31,119	4,052	18,491	27,952	15	M10	52
3 1/4	3.2500		4.921		1.102	0.945	1.496	31,119	4,214	17,751	26,877	15	M10	52
3 3/8	3.3750		4.921		1.102	0.945	1.496	31,118	4,376	17,751	25,882	15	M10	52
3 7/16	3.4375		5.118		1.102	0.945	1.496	31,118	4,457	17,067	25,411	15	M10	52
3 1/2	3.5000	+0	5.118	-0	1.102	0.945	1.496	31,118	4,538	17,067	24,957	15	M10	52
3 3/4	3.7500	-0.0035	5.305	+0.0035	1.102	0.945	1.496	37,344	5,835	19,759	27,952	18	M10	52
3 7/8	3.8750		5.709		1.260	1.024	1.732	45,560	7,356	20,676	30,456	15	M12	91
3 15/16	3.9375		5.709		1.260	1.024	1.732	46,068	7,558	20,906	30,306	15	M12	91
4	4.0000		5.843		1.260	1.024	1.732	46,062	7,677	20,423	29,833	15	M12	91
4 3/16	4.1875		6.102		1.260	1.024	1.732	46,063	8,037	19,556	28,497	15	M12	91
4 7/16	4.4375		6.496		1.260	1.024	1.732	49,136	9,085	19,594	28,684	16	M12	91
4 1/2	4.5000		6.496		1.260	1.024	1.771	49,136	9,213	19,594	28,286	16	M12	91
4 15/16	4.9375		7.087		1.496	1.339	1.968	61,421	12,636	17,169	24,643	20	M12	91
5	5.0000	+0	7.087	-0	1.496	1.339	1.968	61,421	12,796	17,169	24,335	20	M12	91
5 7/16	5.4375	-0.0040	7.480	+0.0040	1.496	1.339	1.968	67,562	15,307	17,894	24,615	22	M12	91
5 1/2	5.5000		7.492		1.496	1.339	1.968	67,562	15,483	17,865	24,335	22	M12	91
6	6.0000		8.268		1.496	1.339	1.968	79,844	19,961	19,132	26,363	26	M12	91
6 7/16	6.4375		8.858		1.732	1.496	2.283	86,683	23,251	17,352	23,877	22	M14	138
6 1/2	6.5000		8.858		1.732	1.496	2.283	86,684	23,477	17,352	23,647	22	M14	138
6 15/16	6.9375		9.252		1.732	1.496	2.283	94,564	27,335	18,123	24,170	24	M14	138
7	7.0000		9.252		1.732	1.496	2.283	94,563	27,581	18,123	23,954	24	M14	138
7 1/2	7.5000	+0	9.823	-0	2.051	1.811	2.602	110,326	34,477	16,451	21,546	28	M14	138
7 7/8	7.8750	-0.0045	10.235	+0.0045	2.051	1.811	2.602	118,205	38,786	16,917	21,986	30	M14	138
8	8.0000		10.504		2.051	1.811	2.602	118,206	39,402	16,483	21,643	30	M14	138

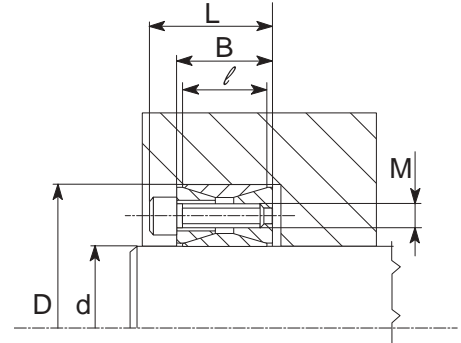
Shaft Locking Devices



SLD 1500 metric series

Ordering example:

Brand	Model	Units	Size
SLD	1500	IN	1 3/8
SLD	1500	MM	50x80



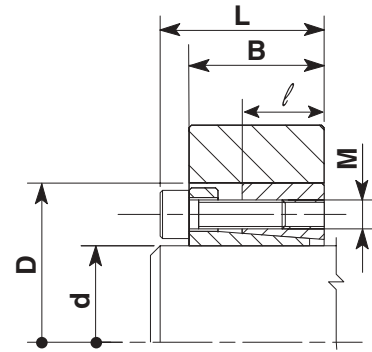
Size (in)	Shaft Locking Device Dimensions							Max. F (lbf)	Max. Mt (ft-lb)	Pressures		Locking Screws		
	d (in)	T ₁ (in)	D (in)	T ₂ (in)	B (in)	l (in)	L (in)			pH (psi)	pS (psi)	Qty	Size	M _A (ft-lb)
17x47	0.669		1.850		0.787	0.669	1.024	6,083	170	13,343	36,985	8	M6	11.80
18x47	0.709		1.850		0.787	0.669	1.024	6,245	184	13,343	34,954	8	M6	11.80
19x47	0.748		1.850		0.787	0.669	1.024	6,153	192	13,343	33,069	8	M6	11.80
20x47	0.787		1.850		0.787	0.669	1.024	6,295	207	13,343	31,473	8	M6	11.80
22x47	0.866		1.850		0.787	0.669	1.024	6,336	229	13,343	28,572	8	M6	11.80
24x50	0.945		1.969		0.787	0.669	1.024	6,182	243	12,618	26,252	8	M6	11.80
25x50	0.984		1.969		0.787	0.669	1.024	6,295	258	12,618	25,237	8	M6	11.80
28x55	1.102		2.165		0.787	0.669	1.024	9,314	428	17,114	33,794	12	M6	11.80
30x55	1.181		2.165		0.787	0.669	1.024	9,442	465	17,114	31,473	12	M6	11.80
32x60	1.260		2.362		0.787	0.669	1.024	9,414	494	15,954	29,443	12	M6	11.80
35x60	1.378		2.362		0.787	0.669	1.024	9,378	538	15,954	26,977	12	M6	11.80
38x65	1.496		2.559		0.787	0.669	1.024	11,714	730	18,130	31,038	15	M6	11.80
40x65	1.575		2.559		0.787	0.669	1.024	11,690	767	18,130	29,443	15	M6	11.80
42x75	1.654		2.953		0.945	0.787	1.260	17,128	1,180	20,305	34,809	12	M8	28
45x75	1.772		2.953		0.945	0.787	1.260	16,986	1,254	20,305	32,489	12	M8	28
48x80	1.890		3.150		0.945	0.787	1.260	16,861	1,328	17,405	30,458	12	M8	28
50x80	1.969		3.150		0.945	0.787	1.260	17,085	1,401	18,855	29,298	12	M8	28
55x85	2.165		3.346		0.945	0.787	1.260	21,255	1,918	21,756	33,214	15	M8	28
60x90	2.362		3.543		0.945	0.787	1.260	21,357	2,102	20,305	30,458	15	M8	28
65x95	2.559		3.740		0.945	0.787	1.260	21,443	2,286	18,855	28,137	15	M8	28
70x110	2.756		4.331		1.102	0.945	1.496	34,364	3,946	23,206	34,954	15	M10	55
75x115	2.953		4.528		1.102	0.945	1.496	34,351	4,226	21,756	32,634	15	M10	55
80x120	3.150		4.724		1.102	0.945	1.496	34,283	4,499	20,305	30,603	15	M10	55
85x125	3.346		4.921		1.102	0.945	1.496	34,383	4,794	20,305	28,863	15	M10	55
90x130	3.543		5.118		1.102	0.945	1.496	34,471	5,089	18,855	27,267	18	M10	55
95x135	3.740		5.315		1.102	0.945	1.496	41,176	6,417	21,756	30,893	18	M10	55
100x145	3.937		5.709		1.260	1.024	1.732	50,357	8,261	23,206	33,214	15	M12	96
110x155	4.331		6.102		1.260	1.024	1.732	50,275	9,072	21,756	30,168	15	M12	96
120x165	4.724		6.496		1.260	1.024	1.732	53,579	10,547	21,756	29,443	16	M12	96
130x180	5.118		7.087		1.496	1.339	1.969	67,097	14,309	18,855	25,962	20	M12	96
140x190	5.512		7.480		1.496	1.339	1.969	73,866	16,964	20,305	26,542	22	M12	96
150x200	5.906		7.874		1.496	1.339	1.969	80,631	19,840	20,305	26,977	24	M12	96
160x210	6.299		8.268		1.496	1.339	1.969	87,113	22,864	21,756	27,412	26	M12	96
170x225	6.693		8.858		1.732	1.496	2.283	96,007	26,774	20,305	25,527	22	M14	148
180x235	7.087		9.252		1.732	1.496	2.283	104,911	30,978	20,305	26,252	24	M14	148
190x250	7.480		9.843		2.047	1.811	2.598	122,580	38,206	18,855	23,931	28	M14	148
200x260	7.874		10.236		2.047	1.811	2.598	131,064	43,000	18,855	24,366	30	M14	148
220x285	8.661		11.220		2.205	1.969	2.835	151,439	54,653	18,855	23,641	26	M16	221
240x305	9.449		12.008		2.205	1.969	2.835	174,602	68,741	20,305	24,947	30	M16	221
260x325	10.236		12.795		2.205	1.969	2.835	198,005	84,451	21,756	26,107	34	M16	221
280x355	11.024		13.976		2.598	2.362	3.307	226,415	103,996	18,855	23,061	32	M18	302
300x375	11.811		14.764		2.598	2.362	3.307	254,783	125,386	20,305	24,221	36	M18	302
320x405	12.598		15.945		3.071	2.835	3.858	330,891	173,696	20,305	24,511	36	M20	435
340x425	13.386		16.732		3.071	2.835	3.858	330,601	184,391	18,855	23,206	36	M20	435
360x455	14.173		17.913		3.543	3.307	4.409	410,901	242,658	18,855	23,206	36	M22	583
380x475	14.961		18.701		3.543	3.307	4.409	409,862	255,492	17,405	22,046	36	M22	583
400x495	15.748		19.488		3.543	3.307	4.409	410,276	269,210	17,405	20,885	36	M22	583
420x515	16.535		20.276		3.543	3.307	4.409	455,399	313,759	17,405	22,046	40	M22	583
440x545	17.323		21.457		4.016	3.780	4.961	626,808	452,421	20,305	25,382	40	M24	885
460x565	18.110		22.244		4.016	3.780	4.961	626,826	472,999	18,855	24,366	40	M24	885
480x585	18.898		23.031		4.016	3.780	4.961	658,222	518,285	20,305	24,511	42	M24	885
500x605	19.685		23.819		4.016	3.780	4.961	689,534	565,563	20,305	24,656	44	M24	885

Shaft Locking Devices



SLD 1850 inch series

d	= shaft diameter
T ₁	= tolerance of shaft
D	= outer diameter of shaft locking device
T ₂	= tolerance of hub bore
B	= width of thrust rings (relaxed state)
l	= length of contact
L	= total width (relaxed state)
F	= maximum transmissible axial force
M _t	= maximum transmissible torque
p _H	= pressure on the hub
p _S	= pressure on the shaft
M _A	= screw tightening torque

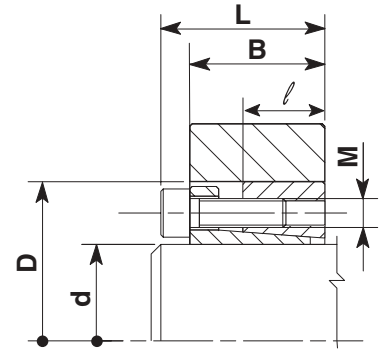


Size (in)	Shaft Locking Device Dimensions							Max. F (lbf)	Max. M _t (ft-lb)	Pressures		Locking Screws		
	d (in)	T ₁ (in)	D (in)	T ₂ (in)	B (in)	l (in)	L (in)			p _H (psi)	p _S (psi)	Qty	Size	M _A (ft-lb)
3/4	0.750	+0 -0.0013	1.850	-0 +0.0015	1.102	0.669	1.339	9,181	287	19,725	36,840	6	M6	10
7/8	0.875		1.850		1.102	0.669	1.339	9,104	332	19,725	31,763	6	M6	10
1	1.000	+0 -0.0016	1.969	-0 +0.0018	1.102	0.669	1.339	9,063	378	18,565	27,992	6	M6	10
1 1/8	1.125		2.165		1.102	0.669	1.339	9,346	438	16,824	24,076	6	M6	10
1 3/16	1.188		2.165		1.102	0.669	1.339	9,153	453	16,824	23,351	6	M6	10
1 1/4	1.250		2.362		1.102	0.669	1.339	12,377	645	20,595	29,153	8	M6	10
1 3/8	1.375		2.362		1.102	0.669	1.339	12,307	705	20,595	26,687	8	M6	10
1 7/16	1.438		2.559		1.102	0.669	1.339	12,437	745	19,000	25,237	8	M6	10
1 1/2	1.500		2.559		1.102	0.669	1.339	12,238	765	19,000	24,511	8	M6	10
1 5/8	1.625		2.953		1.299	0.787	1.614	23,377	1,583	26,832	36,405	8	M8	26
1 11/16	1.688		2.953		1.299	0.787	1.614	23,612	1,660	26,832	34,664	8	M8	26
1 3/4	1.750		2.953		1.299	0.787	1.614	23,295	1,699	26,832	33,939	8	M8	26
1 7/8	1.875	+0 -0.0018	3.150	-0 +0.0022	1.319	0.787	1.614	23,725	1,853	25,237	31,038	8	M8	26
1 15/16	1.938		3.150		1.319	0.787	1.614	23,434	1,892	25,237	30,458	8	M8	26
2	2.000		3.150		1.319	0.787	1.614	23,631	1,969	25,237	29,298	8	M8	26
2 1/8	2.125		3.346		1.319	0.787	1.614	23,549	2,085	23,641	27,557	8	M8	26
2 3/16	2.188		3.346		1.319	0.787	1.614	23,726	2,163	23,641	26,687	8	M8	26
2 1/4	2.250		3.543		1.319	0.787	1.614	23,476	2,201	22,336	26,107	8	M8	26
2 3/8	2.375		3.543		1.319	0.787	1.614	23,411	2,317	22,336	24,802	8	M8	26
2 7/16	2.438		3.740		1.319	0.787	1.614	23,573	2,394	21,176	24,076	8	M8	26
2 1/2	2.500		3.740		1.319	0.787	1.614	23,720	2,471	21,176	23,351	8	M8	26
2 9/16	2.563		3.740		1.319	0.787	1.614	23,508	2,510	21,176	22,916	8	M8	26
2 11/16	2.688	4.331	1.575	0.945	1.969	38,202	4,278	24,802	29,733	8	M10	52		
2 3/4	2.750	4.331	1.575	0.945	1.969	38,435	4,404	24,802	29,008	8	M10	52		
2 7/8	2.875	4.528	1.575	0.945	1.969	38,340	4,593	23,786	27,702	8	M10	52		
2 15/16	2.938	4.528	1.575	0.945	1.969	38,549	4,718	23,786	26,977	8	M10	52		
3	3.000	4.724	1.575	0.945	1.969	38,253	4,782	22,771	26,687	8	M10	52		
3 1/4	3.250	4.921	1.575	0.945	1.969	48,203	6,527	27,412	30,458	10	M10	52		
3 3/8	3.375	4.921	1.575	0.945	1.969	48,096	6,763	27,412	29,443	10	M10	52		
3 7/16	3.438	5.118	1.575	0.945	1.969	47,767	6,842	26,252	29,153	10	M10	52		
3 1/2	3.500	5.118	1.575	0.945	1.969	47,996	6,999	26,252	28,427	10	M10	52		
3 3/4	3.750	5.315	1.575	0.945	1.969	47,813	7,471	25,382	26,687	10	M10	52		
3 15/16	3.938	5.709	1.732	1.024	2.205	53,291	8,743	24,221	28,137	8	M12	85		
4	4.000	5.709	1.732	1.024	2.205	53,507	8,918	24,221	27,557	8	M12	85		

SLD 1850 metric series

Ordering example:

Brand	Model	Units	Size
SLD	1850	IN	1 3/8
SLD	1850	MM	50x80



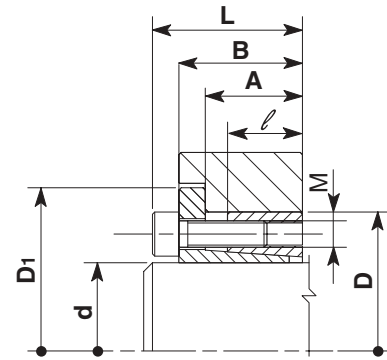
Size (in)	Shaft Locking Device Dimensions							Max. F (lbf)	Max. Mt (ft-lb)	Pressures		Locking Screws							
	d (in)	T ₁ (in)	D (in)	T ₂ (in)	B (in)	I (in)	L (in)			pH (psi)	pS (psi)	Qty	Size	M _A (ft-lb)					
18x47	0.709	+0	1.850	-0	1.102	0.669	1.339	9,242	273	19,725	38,870	6	M6	10					
19x47	0.748		1.850					1.102	0.669	1.339	9,253	288	19,725	36,840	6	M6	10		
20x47	0.787		1.850					1.102	0.669	1.339	9,217	302	19,725	34,954	6	M6	10		
22x47	0.866		1.850					1.102	0.669	1.339	9,197	332	19,725	31,763	6	M6	10		
24x50	0.945	-0.0013	1.969	+0.0015	1.102	0.669	1.339	9,198	362	18,565	29,153	6	M6	10					
25x50	0.984		1.969					1.102	0.669	1.339	9,208	378	18,565	27,992	6	M6	10		
28x55	1.102		2.165					1.102	0.669	1.339	9,201	423	16,824	24,947	6	M6	10		
30x55	1.181		2.165					1.102	0.669	1.339	9,202	453	16,824	23,351	6	M6	10		
32x60	1.260		2.362					1.102	0.669	1.339	12,280	645	20,595	29,153	8	M6	10		
35x60	1.378	+0	2.362	-0	1.102	0.669	1.339	12,281	705	20,595	26,687	8	M6	10					
38x65	1.496		2.559					1.102	0.669	1.339	12,270	765	19,000	24,511	8	M6	10		
40x65	1.575		2.559					1.102	0.669	1.339	12,275	805	19,000	23,351	8	M6	10		
42x75	1.654		-0.0015					2.953	+0.0018	1.299	0.787	1.614	23,541	1,622	26,832	32,343	8	M8	26
45x75	1.772							2.953					1.299	0.787	1.614	23,540	1,738	26,832	33,214
48x80	1.890	3.150		1.319	0.787	1.614	23,539	1,853					25,237	31,038	8	M8	26		
50x80	1.969	3.150		1.319	0.787	1.614	23,533	1,930					25,237	29,878	8	M8	26		
55x85	2.165	+0	3.346	-0	1.319	0.787	1.614	23,535	2,123	23,641	27,122	8	M8	26					
60x90	2.362		3.543					1.319	0.787	1.614	23,537	2,317	22,336	24,802	8	M8	26		
65x95	2.559		3.740					1.319	0.787	1.614	23,539	2,510	21,176	22,916	8	M8	26		
70x110	2.756		4.331					1.575	0.945	1.969	38,352	4,404	24,802	29,008	8	M10	52		
75x115	2.953		4.528					1.575	0.945	1.969	38,349	4,718	23,786	26,977	8	M10	52		
80x120	3.150	-0.0018	4.724	+0.0021	1.575	0.945	1.969	38,352	5,033	22,771	25,382	8	M10	52					
85x125	3.346		4.921					1.575	0.945	1.969	47,940	6,685	27,412	29,733	10	M10	52		
90x130	3.543		5.118					1.575	0.945	1.969	47,939	7,078	26,252	28,137	10	M10	52		
95x135	3.740		5.315					1.575	0.945	1.969	47,939	7,471	25,382	26,687	10	M10	52		
100x145	3.937		5.709					1.732	1.024	2.205	53,298	8,743	24,221	28,137	8	M12	85		
110x155	4.331	+0	6.102	-0	1.732	1.024	2.205	53,296	9,617	22,626	23,061	8	M12	85					
120x165	4.724		6.496					1.732	1.024	2.205	59,960	11,803	23,931	23,786	9	M12	85		
130x180	5.118		7.087					2.047	1.339	2.520	79,946	17,049	22,336	24,366	12	M12	85		
140x190	5.512		7.480					2.126	1.339	2.677	81,609	18,742	21,611	22,191	9	M14	136		
150x200	5.906	-0.0025	7.874	+0.0028	2.126	1.339	2.677	90,676	22,312	22,771	23,061	10	M14	136					
160x210	6.299		8.268					2.126	1.339	2.677	108,813	28,560	26,107	25,817	12	M14	136		
170x225	6.693		8.858					2.520	1.732	3.071	108,813	30,345	18,855	20,305	12	M14	136		
180x235	7.087		9.252					2.520	1.732	3.071	108,813	32,130	17,985	19,145	12	M14	136		
190x250	7.480		9.843					2.520	1.732	3.071	136,016	42,394	21,176	22,626	15	M14	136		
200x260	7.874	-0.0028	10.236	-0	2.520	1.732	3.071	136,016	44,625	20,305	21,611	15	M14	136					

Shaft Locking Devices



SLD 1750 inch series

- d = shaft diameter
- T₁ = tolerance of shaft
- D = outer diameter of shaft locking device
- T₂ = tolerance of hub bore
- D₁ = diameter of flange
- A = width to flange
- B = width of thrust rings (relaxed state)
- l = length of contact
- L = total width (relaxed state)
- F = maximum transmissible axial force
- Mt = maximum transmissible torque
- pH = pressure on the hub
- pS = pressure on the shaft
- M_A = screw tightening torque

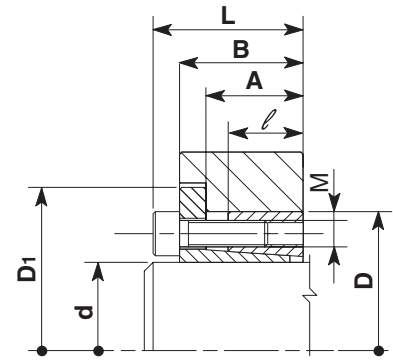


Size (in)	Shaft Locking Device Dimensions									Max.	Max.	Pressures		Locking Screws		
	d (in)	T ₁ (in)	D (in)	T ₂ (in)	D ₁ (in)	A (in)	B (in)	l (in)	L (in)	F (lbf)	Mt (ft-lb)	pH (psi)	pS (psi)	Qty	Size	M _A (ft-lb)
3/4	0.7500	+0 -0.0013	1.850	-0 +0.0015	2.087	0.866	1.102	0.669	1.339	7,623	238	15,515	26,024	6	M6	13
7/8	0.8750		1.850		2.087	0.866	1.102	0.669	1.339	7,623	278	15,515	22,306	6	M6	13
1	1.0000		1.969		2.205	0.866	1.102	0.669	1.339	7,623	318	14,577	19,518	6	M6	13
1 1/8	1.1250		2.165		2.421	0.866	1.102	0.669	1.339	7,623	357	13,258	17,349	6	M6	13
1 3/16	1.1875	+0 -0.0016	2.165	-0 +0.0018	2.421	0.866	1.102	0.669	1.339	7,623	377	13,258	16,436	6	M6	13
1 1/4	1.2500		2.362		2.638	0.866	1.102	0.669	1.339	10,164	529	16,202	20,819	8	M6	13
1 3/8	1.3750		2.362		2.638	0.866	1.102	0.669	1.339	10,164	582	16,202	18,926	8	M6	13
1 7/16	1.4375		2.559		2.835	0.866	1.102	0.669	1.339	10,164	609	14,955	18,103	8	M6	13
1 1/2	1.5000		2.559		2.835	0.866	1.102	0.669	1.339	10,164	635	14,955	17,349	8	M6	13
1 5/8	1.6250		2.953		3.307	0.984	1.299	0.787	1.614	18,806	1,273	20,381	24,691	8	M8	30
1 11/16	1.6875		2.953		3.307	0.984	1.299	0.787	1.614	18,806	1,322	20,381	23,777	8	M8	30
1 3/4	1.7500		2.953		3.307	0.984	1.299	0.787	1.614	18,806	1,371	20,381	22,928	8	M8	30
1 7/8	1.8750	+0 -0.0018	3.150	-0 +0.0022	3.504	0.945	1.319	0.787	1.614	18,806	1,469	19,106	21,399	8	M8	30
1 15/16	1.9375		3.150		3.504	0.945	1.319	0.787	1.614	18,806	1,518	19,106	20,709	8	M8	30
2	2.0000		3.150		3.504	0.945	1.319	0.787	1.614	18,806	1,567	19,109	20,062	8	M8	30
2 1/8	2.1250		3.346		3.700	0.945	1.319	0.787	1.614	18,806	1,665	17,987	18,882	8	M8	30
2 3/16	2.1875		3.346		3.700	0.945	1.319	0.787	1.614	18,806	1,714	17,987	18,342	8	M8	30
2 1/4	2.2500		3.543		3.897	0.945	1.319	0.787	1.614	18,806	1,763	16,987	17,833	8	M8	30
2 3/8	2.3750		3.543		3.897	0.945	1.319	0.787	1.614	18,806	1,861	16,987	16,894	8	M8	30
2 7/16	2.4375		3.740		4.094	0.945	1.319	0.787	1.614	18,806	1,910	16,092	16,461	8	M8	30
2 1/2	2.5000		3.740		4.094	0.945	1.319	0.787	1.614	18,806	1,959	16,092	16,049	8	M8	30
2 9/16	2.5625		3.740		4.094	0.945	1.319	0.787	1.614	18,806	2,008	16,092	15,658	8	M8	30
2 11/16	2.6875		4.331		4.685	1.142	1.575	0.945	1.969	31,017	3,473	19,100	20,520	8	M10	61
2 3/4	2.7500		4.331		4.685	1.142	1.575	0.945	1.969	31,017	3,554	19,100	20,053	8	M10	61
2 7/8	2.8750		4.528		4.882	1.142	1.575	0.945	1.969	31,017	3,716	18,269	19,182	8	M10	61
2 15/16	2.9375		4.528		4.882	1.142	1.575	0.945	1.969	31,017	3,796	18,269	18,773	8	M10	61
3	3.0000		4.724		5.078	1.142	1.575	0.945	1.969	31,017	3,877	17,511	18,382	8	M10	61
3 1/4	3.2500		+0 -0.0022		4.921	-0 +0.0025	5.275	1.142	1.575	0.945	1.969	31,017	4,200	16,810	16,968	8
3 3/8	3.3750	4.921		5.275	1.142		1.575	0.945	1.969	38,771	5,452	21,012	20,425	10	M10	61
3 7/16	3.4375	5.118		5.470	1.142		1.575	0.945	1.969	38,771	5,553	20,203	20,053	10	M10	61
3 1/2	3.5000	5.118		5.470	1.142		1.575	0.945	1.969	38,771	5,654	20,203	19,695	10	M10	61
3 3/4	3.7500	5.315		5.669	1.142		1.575	0.945	1.969	38,771	6,058	19,455	18,382	10	M10	61
3 15/16	3.9375	5.708		6.603	1.220		1.732	1.024	2.205	45,836	7,520	19,768	18,627	8	M12	107
4	4.0000	5.709		6.603	1.220		1.732	1.024	2.205	45,836	7,639	19,766	18,336	8	M12	107

SLD 1750 metric series

Ordering example:

Brand	Model	Units	Size
SLD	1750	IN	1 3/8
SLD	1750	MM	50x80



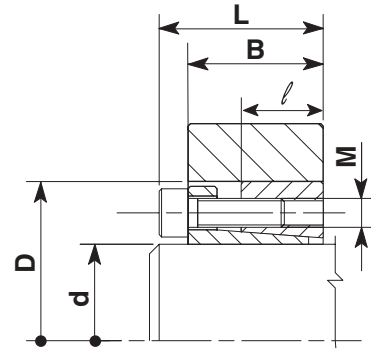
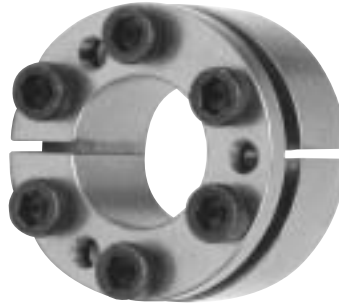
Size	Shaft Locking Device Dimensions										Max. F (lbf)	Max. Mt (ft-lb)	Pressures		Locking Screws		
	d (in)	T ₁ (in)	D (in)	T ₂ (in)	D ₁ (in)	A (in)	B (in)	I (in)	L (in)	pH (psi)			pS (psi)	Qty	Size	M _A (ft-lb)	
18x47	0.7087	+0	1.850	-0	+0.0015	2.087	0.866	1.102	0.669	1.339	7,242	214	16,328	28,991	6	M6	10
19x47	0.7480		1.850			2.087	0.866	1.102	0.669	1.339	7,242	226	16,328	27,465	6	M6	10
20x47	0.7874		1.850			2.087	0.866	1.102	0.669	1.339	7,242	238	16,328	26,092	6	M6	10
22x47	0.8661		1.850			2.087	0.866	1.102	0.669	1.339	7,242	261	16,328	23,720	6	M6	10
24x50	0.9449	-0.0013	1.969	-0	+0.0018	2.205	0.866	1.102	0.669	1.339	7,242	285	15,348	21,743	6	M6	10
25x50	0.9843		1.969			2.205	0.866	1.102	0.669	1.339	7,242	297	15,348	20,874	6	M6	10
28x55	1.1024		2.165			2.421	0.866	1.102	0.669	1.339	7,242	333	13,953	18,637	6	M6	10
30x55	1.1811		2.165			2.421	0.866	1.102	0.669	1.339	7,242	356	13,953	17,395	6	M6	10
32x60	1.2598	+0	2.362	-0	+0.0018	2.638	0.866	1.102	0.669	1.339	9,656	507	17,054	21,743	8	M6	10
35x60	1.3780		2.362			2.638	0.866	1.102	0.669	1.339	9,656	554	17,054	19,880	8	M6	10
38x65	1.4961		2.559			2.835	0.866	1.102	0.669	1.339	9,656	602	15,742	18,310	8	M6	10
40x65	1.5748		2.559			2.835	0.866	1.102	0.669	1.339	9,656	634	15,742	17,395	8	M6	10
42x75	1.6535	-0.0015	2.953	-0	+0.0021	3.307	0.984	1.299	0.787	1.614	17,866	1,231	21,455	25,542	8	M8	26
45x75	1.7717		2.953			3.307	0.984	1.299	0.787	1.614	17,866	1,319	21,455	23,839	8	M8	26
48x80	1.8898		3.150			3.504	0.945	1.319	0.787	1.614	17,866	1,407	20,114	22,349	8	M8	26
50x80	1.9685		3.150			3.504	0.945	1.319	0.787	1.614	17,866	1,465	20,114	21,455	8	M8	26
55x85	2.1654	+0	3.346	-0	+0.0021	3.583	0.945	1.319	0.787	1.614	17,866	1,612	18,931	19,505	8	M8	26
60x90	2.3622		3.543			3.898	0.945	1.319	0.787	1.614	17,866	1,758	17,880	17,880	8	M8	26
65x95	2.5591		3.740			4.094	0.945	1.319	0.787	1.614	17,866	1,905	16,939	16,504	8	M8	26
70x110	2.7559		4.331			4.685	1.142	1.575	0.945	1.969	29,466	3,384	20,106	21,064	8	M10	52
75x115	2.9528	-0.0018	4.528	-0	+0.0025	4.882	1.142	1.575	0.945	1.969	29,466	3,625	19,232	19,659	8	M10	52
80x120	3.1496		4.724			5.079	1.142	1.575	0.945	1.969	29,466	3,867	18,431	18,431	8	M10	52
85x125	3.3465		4.921			5.276	1.142	1.575	0.945	1.969	36,832	5,136	22,117	21,683	10	M10	52
90x130	3.5433		5.118			5.472	1.142	1.575	0.945	1.969	36,832	5,438	21,266	20,479	10	M10	52
95x135	3.7402	+0	5.315	-0	+0.0028	5.669	1.142	1.575	0.945	1.969	36,832	5,740	20,479	19,401	10	M10	52
100x145	3.9370		5.709			6.063	1.220	1.732	1.024	2.205	43,544	7,143	20,807	19,610	8	M12	85
110x155	4.3307		6.102			6.457	1.220	1.732	1.024	2.205	43,544	7,857	19,464	17,827	8	M12	85
120x165	4.7244		6.496			6.850	1.220	1.732	1.024	2.205	48,987	9,643	20,570	18,384	9	M12	85
130x180	5.1181	-0.0021	7.087	-0	+0.0032	7.441	1.535	2.047	1.339	2.520	65,316	13,929	19,226	18,856	12	M12	85
140x190	5.5118		7.480			7.835	1.535	2.126	1.339	2.677	65,743	15,098	18,333	16,919	9	M14	136
150x200	5.9055		7.874			8.228	1.535	2.126	1.339	2.677	73,047	17,974	19,351	17,545	10	M14	136
160x210	6.2992		8.268			8.622	1.535	2.126	1.339	2.677	87,657	23,007	22,116	19,738	12	M14	136
170x225	6.6929	+0	8.858	-0	+0.0032	9.213	1.929	2.520	1.732	3.071	87,657	24,445	15,950	15,481	12	M14	136
180x235	7.0866		9.252			9.606	1.929	2.520	1.732	3.071	87,657	25,883	15,271	14,621	12	M14	136
190x250	7.4803		9.843			10.197	1.929	2.520	1.732	3.071	109,571	34,151	17,944	17,314	15	M14	136
200x260	7.8740		10.236			10.591	1.929	2.520	1.732	3.071	109,571	35,948	17,254	16,449	15	M14	136

Shaft Locking Devices



SLD 1350 inch series

d	= shaft diameter
T ₁	= tolerance of shaft
D	= outer diameter of shaft locking device
T ₂	= tolerance of hub bore
B	= width of thrust rings (relaxed state)
I	= length of contact
L	= total width (relaxed state)
F	= maximum transmissible axial force
Mt	= maximum transmissible torque
pH	= pressure on the hub
pS	= pressure on the shaft
M _A	= screw tightening torque

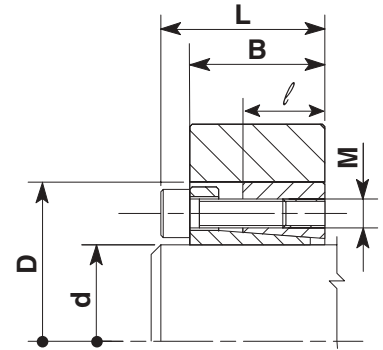


Size (in)	Shaft Locking Device Dimensions							Max. F (lbf)	Max. Mt (ft-lb)	Pressures		Locking Screws		
	d (in)	T ₁ (in)	D (in)	T ₂ (in)	B (in)	I (in)	L (in)			pH (psi)	pS (psi)	Qty	Size	M _A (ft-lb)
3/4	0.750	+0 -0.0013	1.850	-0	1.102	0.669	1.339	8,733	273	18,710	34,954	6	M6	10
7/8	0.875		1.850	+0.0015	1.102	0.669	1.339	8,659	316	18,710	30,168	6	M6	10
1	1.000	+0 -0.0016	1.969	-0 +0.0018	1.102	0.669	1.339	8,603	358	17,550	26,542	6	M6	10
1 1/8	1.125		2.165		1.102	0.669	1.339	8,874	416	15,954	22,916	6	M6	10
1 3/16	1.188		2.165		1.102	0.669	1.339	8,705	431	15,954	22,191	6	M6	10
1 1/4	1.250		2.362		1.102	0.669	1.339	11,754	612	19,580	27,702	8	M6	10
1 3/8	1.375		2.362		1.102	0.669	1.339	11,689	670	19,580	25,382	8	M6	10
1 7/16	1.438		2.559		1.102	0.669	1.339	11,822	708	18,130	23,931	8	M6	10
1 1/2	1.500		2.559		1.102	0.669	1.339	11,636	727	18,130	23,351	8	M6	10
1 5/8	1.625		2.953		1.299	0.787	1.614	22,211	1,504	25,527	34,519	8	M8	26
1 11/16	1.688		2.953		1.299	0.787	1.614	22,427	1,557	25,527	32,924	8	M8	26
1 3/4	1.750		2.953		1.299	0.787	1.614	22,132	1,614	25,527	32,198	8	M8	26
1 7/8	1.875	+0 -0.0018	3.150	-0 +0.0022	1.319	0.787	1.614	22,535	1,761	23,931	29,588	8	M8	26
1 15/16	1.938		3.150		1.319	0.787	1.614	22,265	1,797	23,931	28,863	8	M8	26
2	2.000		3.150		1.319	0.787	1.614	22,445	1,870	23,931	27,847	8	M8	26
2 1/8	2.125		3.346		1.319	0.787	1.614	22,375	1,981	22,481	26,252	8	M8	26
2 3/16	2.188		3.346		1.319	0.787	1.614	22,537	2,054	22,481	25,237	8	M8	26
2 1/4	2.250		3.543		1.319	0.787	1.614	22,304	2,091	21,321	24,802	8	M8	26
2 3/8	2.375		3.543		1.319	0.787	1.614	22,241	2,201	21,321	23,641	8	M8	26
2 7/16	2.438		3.740		1.319	0.787	1.614	22,389	2,274	20,160	22,916	8	M8	26
2 1/2	2.500		3.740		1.319	0.787	1.614	22,538	2,348	20,160	22,191	8	M8	26
2 9/16	2.563		3.740		1.319	0.787	1.614	22,333	2,385	20,160	21,756	8	M8	26
2 11/16	2.688	4.331	1.575	0.945	1.969	36,292	4,064	23,641	28,282	8	M10	52		
2 3/4	2.750	4.331	1.575	0.945	1.969	36,510	4,183	23,641	27,557	8	M10	52		
2 7/8	2.875	+0 -0.0022	4.528	-0 +0.0025	1.575	0.945	1.969	36,425	4,363	22,626	26,397	8	M10	52
2 15/16	2.938		4.528		1.575	0.945	1.969	36,626	4,483	22,626	25,672	8	M10	52
3	3.000		4.724		1.575	0.945	1.969	36,341	4,543	21,611	25,382	8	M10	52
3 1/4	3.250		4.921		1.575	0.945	1.969	45,790	6,201	25,962	29,008	10	M10	52
3 3/8	3.375		4.921		1.575	0.945	1.969	45,688	6,425	25,962	27,992	10	M10	52
3 7/16	3.438		5.118		1.575	0.945	1.969	45,378	6,499	24,947	27,702	10	M10	52
3 1/2	3.500		5.118		1.575	0.945	1.969	45,594	6,649	24,947	26,977	10	M10	52
3 3/4	3.750		5.315		1.575	0.945	1.969	45,424	7,098	24,076	25,382	10	M10	52
3 15/16	3.938		5.709		1.732	1.024	2.205	50,625	8,306	22,916	26,687	8	M12	85
4	4.000		5.709		1.732	1.024	2.205	50,830	8,472	22,916	26,252	8	M12	85

SLD 1350 metric series

Ordering example:

Brand	Model	Units	Size
SLD	1350	IN	1 3/8
SLD	1350	MM	50x80



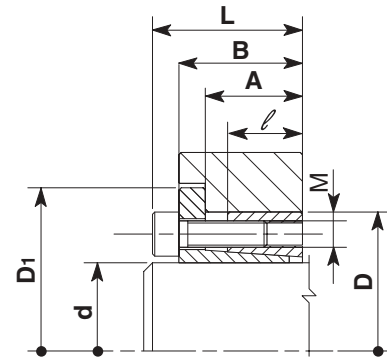
Size (in)	Shaft Locking Device Dimensions							Max. F (lbf)	Max. Mt (ft-lb)	Pressures		Locking Screws		
	d (in)	T ₁ (in)	D (in)	T ₂ (in)	B (in)	I (in)	L (in)			pH (psi)	pS (psi)	Qty	Size	M _A (ft-lb)
18x47	0.709	+0 -0.0013	1.850	-0 +0.0015	1.102	0.669	1.339	8,780	259	18,710	36,985	6	M6	10
19x47	0.748		1.850		1.102	0.669	1.339	8,790	274	18,710	34,954	6	M6	10
20x47	0.787		1.850		1.102	0.669	1.339	8,308	273	18,710	33,214	6	M6	10
22x47	0.866		1.850		1.102	0.669	1.339	8,310	300	18,710	30,168	6	M6	10
24x50	0.945	+0 -0.0013	1.969	-0 +0.0015	1.102	0.669	1.339	8,311	327	17,550	27,702	6	M6	10
25x50	0.984		1.969		1.102	0.669	1.339	8,304	341	17,550	26,542	6	M6	10
28x55	1.102		2.165		1.102	0.669	1.339	8,314	382	15,954	23,786	6	M6	10
30x55	1.181		2.165		1.102	0.669	1.339	8,315	409	15,954	22,191	6	M6	10
32x60	1.260		2.362		1.102	0.669	1.339	11,079	582	19,580	27,702	8	M6	10
35x60	1.378	+0 -0.0015	2.362	-0 +0.0018	1.102	0.669	1.339	11,081	636	19,580	25,382	8	M6	10
38x65	1.496		2.559		1.102	0.669	1.339	11,083	691	18,130	23,351	8	M6	10
40x65	1.575		2.559		1.102	0.669	1.339	11,074	727	18,130	22,191	8	M6	10
42x75	1.654		2.953		1.299	0.787	1.614	21,245	1,464	25,527	30,748	8	M8	26
45x75	1.772		2.953		1.299	0.787	1.614	21,243	1,568	25,527	31,473	8	M8	26
48x80	1.890		3.150		1.319	0.787	1.614	21,241	1,673	23,931	29,588	8	M8	26
50x80	1.969	3.150	1.319	0.787	1.614	21,246	1,743	23,931	28,282	8	M8	26		
55x85	2.165	+0 -0.0018	3.346	-0 +0.0021	1.319	0.787	1.614	21,240	1,916	22,481	25,817	8	M8	26
60x90	2.362		3.543		1.319	0.787	1.614	21,243	2,091	21,321	23,641	8	M8	26
65x95	2.559		3.740		1.319	0.787	1.614	21,245	2,265	20,160	21,756	8	M8	26
70x110	2.756		4.331		1.575	0.945	1.969	34,610	3,974	23,641	27,557	8	M10	52
75x115	2.953		4.528		1.575	0.945	1.969	34,615	4,259	22,626	25,672	8	M10	52
80x120	3.150		4.724		1.575	0.945	1.969	34,614	4,543	21,611	24,076	8	M10	52
85x125	3.346		4.921		1.575	0.945	1.969	43,266	6,033	25,962	28,282	10	M10	52
90x130	3.543	5.118	1.575	0.945	1.969	43,264	6,387	24,947	26,687	10	M10	52		
95x135	3.740	+0 -0.0021	5.315	-0 +0.0025	1.575	0.945	1.969	43,267	6,743	24,076	25,382	10	M10	52
100x145	3.937		5.709		1.732	1.024	2.205	48,100	7,890	22,916	26,687	8	M12	85
110x155	4.331		6.102		1.732	1.024	2.205	48,100	8,679	21,466	21,901	8	M12	85
120x165	4.724		6.496		1.732	1.024	2.205	54,115	10,652	22,771	22,626	9	M12	85
130x180	5.118	+0 -0.0025	7.087	-0 +0.0028	2.047	1.339	2.520	72,150	15,386	21,176	23,206	12	M12	85
140x190	5.512		7.480		2.126	1.339	2.677	73,654	16,915	20,595	21,031	9	M14	136
150x200	5.906		7.874		2.126	1.339	2.677	81,837	20,137	21,611	21,901	10	M14	136
160x210	6.299		8.268		2.126	1.339	2.677	98,204	25,775	24,802	24,511	12	M14	136
170x225	6.693		8.858		2.520	1.732	3.071	98,204	27,386	17,840	19,290	12	M14	136
180x235	7.087		9.252		2.520	1.732	3.071	98,204	28,997	17,114	18,130	12	M14	136
190x250	7.480	+0 -0.0028	9.843	-0 +0.0032	2.520	1.732	3.071	122,755	38,260	20,160	21,611	15	M14	136
200x260	7.874		10.236		2.520	1.732	3.071	122,755	40,274	19,290	20,450	15	M14	136

Shaft Locking Devices



SLD 1450 inch series

- d = shaft diameter
- T₁ = tolerance of shaft
- D = outer diameter of shaft locking device
- T₂ = tolerance of hub bore
- D₁ = diameter of flange
- A = width to flange
- B = width of thrust rings (relaxed state)
- l = length of contact
- L = total width (relaxed state)
- F = maximum transmissible axial force
- Mt = maximum transmissible torque
- pH = pressure on the hub
- pS = pressure on the shaft
- M_A = screw tightening torque

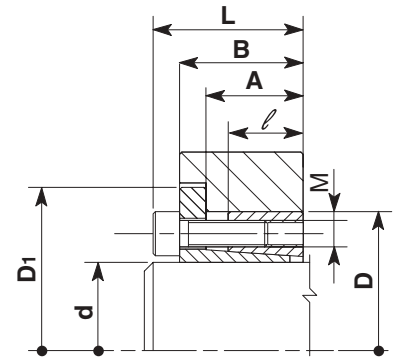


Size (in)	Shaft Locking Device Dimensions									Max.	Max.	Pressures		Locking Screws		
	d (in)	T ₁ (in)	D (in)	T ₂ (in)	D ₁ (in)	A (in)	B (in)	l (in)	L (in)	F (lbf)	Mt (ft-lb)	pH (psi)	pS (psi)	Qty	Size	M _A (ft-lb)
3/4	0.7500	+0 -0.0013	1.850	-0 +0.0015	2.087	0.866	1.102	0.669	1.339	7,242	226	14,739	24,723	6	M6	12
7/8	0.8750		1.850		2.087	0.866	1.102	0.669	1.339	7,242	264	14,739	21,191	6	M6	12
1	1.0000		1.969		2.205	0.866	1.102	0.669	1.339	7,242	302	13,848	18,542	6	M6	12
1 1/8	1.1250		2.165		2.421	0.866	1.102	0.669	1.339	7,242	339	12,595	16,482	6	M6	12
1 3/16	1.1875	+0 -0.0016	2.165	-0 +0.0018	2.421	0.866	1.102	0.669	1.339	7,242	358	12,595	15,614	6	M6	12
1 1/4	1.2500		2.362		2.638	0.866	1.102	0.669	1.339	9,656	503	15,392	19,778	8	M6	12
1 3/8	1.3750		2.362		2.638	0.866	1.102	0.669	1.339	9,656	553	15,392	17,980	8	M6	12
1 7/16	1.4375		2.559		2.835	0.866	1.102	0.669	1.339	9,656	578	14,207	17,198	8	M6	12
1 1/2	1.5000		2.559		2.835	0.866	1.102	0.669	1.339	9,656	604	14,207	16,482	8	M6	12
1 5/8	1.6250		2.953		3.307	0.984	1.299	0.787	1.614	17,866	1,210	19,362	23,457	8	M8	29
1 11/16	1.6875		2.953		3.307	0.984	1.299	0.787	1.614	17,866	1,256	19,362	22,588	8	M8	29
1 3/4	1.7500		2.953		3.307	0.984	1.299	0.787	1.614	17,866	1,303	19,362	21,781	8	M8	29
1 7/8	1.8750	+0 -0.0018	3.150	-0 +0.0022	3.504	0.945	1.319	0.787	1.614	17,866	1,396	18,151	20,329	8	M8	29
1 15/16	1.9375		3.150		3.504	0.945	1.319	0.787	1.614	17,866	1,442	18,151	19,673	8	M8	29
2	2.0000		3.150		3.504	0.945	1.319	0.787	1.614	17,866	1,489	18,153	19,059	8	M8	29
2 1/8	2.1250		3.346		3.700	0.945	1.319	0.787	1.614	17,866	1,582	17,088	17,938	8	M8	29
2 3/16	2.1875		3.346		3.700	0.945	1.319	0.787	1.614	17,866	1,628	17,088	17,425	8	M8	29
2 1/4	2.2500		3.543		3.897	0.945	1.319	0.787	1.614	17,866	1,675	16,138	16,941	8	M8	29
2 3/8	2.3750		3.543		3.897	0.945	1.319	0.787	1.614	17,866	1,768	16,138	16,049	8	M8	29
2 7/16	2.4375		3.740		4.094	0.945	1.319	0.787	1.614	17,866	1,814	15,288	15,638	8	M8	29
2 1/2	2.5000		3.740		4.094	0.945	1.319	0.787	1.614	17,866	1,861	15,288	15,247	8	M8	29
2 9/16	2.5625		3.740		4.094	0.945	1.319	0.787	1.614	17,866	1,908	15,288	14,875	8	M8	29
2 11/16	2.6875		4.331		4.685	1.142	1.575	0.945	1.969	29,466	3,300	18,145	19,494	8	M10	58
2 3/4	2.7500		4.331		4.685	1.142	1.575	0.945	1.969	29,466	3,376	18,145	19,051	8	M10	58
2 7/8	2.8750		4.528		4.882	1.142	1.575	0.945	1.969	29,466	3,530	17,355	18,222	8	M10	58
2 15/16	2.9375		4.528		4.882	1.142	1.575	0.945	1.969	29,466	3,607	17,355	17,835	8	M10	58
3	3.0000		4.724		5.078	1.142	1.575	0.945	1.969	29,466	3,683	16,635	17,463	8	M10	58
3 1/4	3.2500		+0 -0.0022		4.921	-0 +0.0025	5.275	1.142	1.575	0.945	1.969	29,466	3,990	15,969	16,120	8
3 3/8	3.3750	4.921		5.275	1.142		1.575	0.945	1.969	36,832	5,180	19,962	19,404	10	M10	58
3 7/16	3.4375	5.118		5.470	1.142		1.575	0.945	1.969	36,832	5,275	19,193	19,051	10	M10	58
3 1/2	3.5000	5.118		5.470	1.142		1.575	0.945	1.969	36,832	5,371	19,193	18,711	10	M10	58
3 3/4	3.7500	5.315		5.669	1.142		1.575	0.945	1.969	36,832	5,755	18,482	17,463	10	M10	58
3 15/16	3.9375	5.708		6.603	1.220		1.732	1.024	2.205	43,544	7,144	18,780	17,696	8	M12	102
4	4.0000	5.709		6.603	1.220		1.732	1.024	2.205	43,544	7,257	18,778	17,419	8	M12	102

SLD 1450 metric series

Ordering example:

Brand	Model	Units	Size
SLD	1450	IN	1 3/8
SLD	1450	MM	50x80



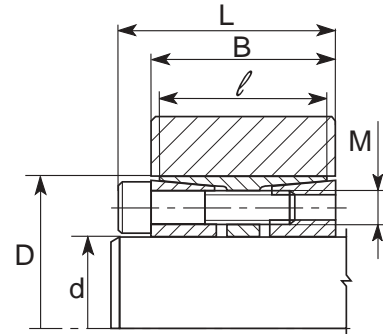
Size	Shaft Locking Device Dimensions										Max. F (lbf)	Max. Mt (ft-lb)	Pressures		Locking Screws		
	d (in)	T ₁ (in)	D (in)	T ₂ (in)	D ₁ (in)	A (in)	B (in)	I (in)	L (in)	pH (psi)			pS (psi)	Qty	Size	M _A (ft-lb)	
18x47	0.7087	+0	1.850	-0	+0.0015	2.087	0.866	1.102	0.669	1.339	6,880	203	15,512	27,542	6	M6	12
19x47	0.7480		1.850			2.087	0.866	1.102	0.669	1.339	6,880	214	15,512	26,092	6	M6	12
20x47	0.7874		1.850			2.087	0.866	1.102	0.669	1.339	6,880	226	15,512	24,788	6	M6	12
22x47	0.8661		1.850			2.087	0.866	1.102	0.669	1.339	6,880	248	15,512	22,534	6	M6	12
24x50	0.9449	-0.0013	1.969	-0	+0.0018	2.205	0.866	1.102	0.669	1.339	6,880	271	14,581	20,656	6	M6	12
25x50	0.9843		1.969			2.205	0.866	1.102	0.669	1.339	6,880	282	14,581	19,830	6	M6	12
28x55	1.1024		2.165			2.421	0.866	1.102	0.669	1.339	6,880	316	13,255	17,705	6	M6	12
30x55	1.1811		2.165			2.421	0.866	1.102	0.669	1.339	6,880	339	13,255	16,525	6	M6	12
32x60	1.2598	+0	2.362	-0	+0.0018	2.638	0.866	1.102	0.669	1.339	9,173	482	16,201	20,656	8	M6	12
35x60	1.3780		2.362			2.638	0.866	1.102	0.669	1.339	9,173	527	16,201	18,886	8	M6	12
38x65	1.4961		2.559			2.835	0.866	1.102	0.669	1.339	9,173	572	14,955	17,395	8	M6	12
40x65	1.5748		2.559			2.835	0.866	1.102	0.669	1.339	9,173	602	14,955	16,525	8	M6	12
42x75	1.6535	-0.0015	2.953	-0	+0.0021	3.307	0.984	1.299	0.787	1.614	16,972	1,169	20,383	24,265	8	M8	29
45x75	1.7717		2.953			3.307	0.984	1.299	0.787	1.614	16,972	1,253	20,383	22,647	8	M8	29
48x80	1.8898		3.150			3.504	0.945	1.319	0.787	1.614	16,972	1,336	19,109	21,232	8	M8	29
50x80	1.9685		3.150			3.504	0.945	1.319	0.787	1.614	16,972	1,392	19,109	20,383	8	M8	29
55x85	2.1654	+0	3.346	-0	+0.0021	3.583	0.945	1.319	0.787	1.614	16,972	1,531	17,985	18,530	8	M8	29
60x90	2.3622		3.543			3.898	0.945	1.319	0.787	1.614	16,972	1,670	16,986	16,986	8	M8	29
65x95	2.5591		3.740			4.094	0.945	1.319	0.787	1.614	16,972	1,810	16,092	15,679	8	M8	29
70x110	2.7559		4.331			4.685	1.142	1.575	0.945	1.969	27,993	3,214	19,101	20,010	8	M10	58
75x115	2.9528	-0.0018	4.528	-0	+0.0025	4.882	1.142	1.575	0.945	1.969	27,993	3,444	18,270	18,676	8	M10	58
80x120	3.1496		4.724			5.079	1.142	1.575	0.945	1.969	27,993	3,674	17,509	17,509	8	M10	58
85x125	3.3465		4.921			5.276	1.142	1.575	0.945	1.969	34,991	4,879	21,011	20,599	10	M10	58
90x130	3.5433		5.118			5.472	1.142	1.575	0.945	1.969	34,991	5,166	20,203	19,455	10	M10	58
95x135	3.7402	+0	5.315	-0	+0.0025	5.669	1.142	1.575	0.945	1.969	34,991	5,453	19,455	18,431	10	M10	58
100x145	3.9370		5.709			6.063	1.220	1.732	1.024	2.205	41,367	6,786	19,766	18,630	8	M12	102
110x155	4.3307		6.102			6.457	1.220	1.732	1.024	2.205	41,367	7,464	18,491	16,936	8	M12	102
120x165	4.7244		6.496			6.850	1.220	1.732	1.024	2.205	46,538	9,161	19,542	17,465	9	M12	102
130x180	5.1181	+0	7.087	-0	+0.0028	7.441	1.535	2.047	1.339	2.520	62,050	13,232	18,264	17,913	12	M12	102
140x190	5.5118		7.480			7.835	1.535	2.126	1.339	2.677	62,455	14,343	17,416	16,073	9	M14	161
150x200	5.9055		7.874			8.228	1.535	2.126	1.339	2.677	69,395	17,076	18,384	16,668	10	M14	161
160x210	6.2992		8.268			8.622	1.535	2.126	1.339	2.677	83,274	21,857	21,010	18,751	12	M14	161
170x225	6.6929	-0.0025	8.858	-0	+0.0032	9.213	1.929	2.520	1.732	3.071	87,657	24,445	15,153	14,707	12	M14	161
180x235	7.0866		9.252			9.606	1.929	2.520	1.732	3.071	83,274	24,589	14,508	13,890	12	M14	161
190x250	7.4803		9.843			10.197	1.929	2.520	1.732	3.071	104,092	32,443	17,047	16,449	15	M14	161
200x260	7.8740		10.236			10.591	1.929	2.520	1.732	3.071	104,092	34,151	16,391	15,626	15	M14	161

Shaft Locking Devices



SLD 2600 inch series

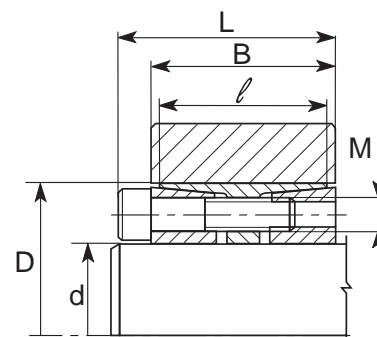
d	= shaft diameter
T ₁	= tolerance of shaft
D	= outer diameter of shaft locking device
T ₂	= tolerance of hub bore
B	= width of thrust rings (relaxed state)
l	= length of contact
L	= total width (relaxed state)
F	= maximum transmissible axial force
Mt	= maximum transmissible torque
pH	= pressure on the hub
pS	= pressure on the shaft
M _A	= screw tightening torque



Size (in)	Shaft Locking Device Dimensions							Max. F (lbf)	Max. Mt (ft-lb)	Pressures		Locking Screws		
	d (in)	T ₁ (in)	D (in)	T ₂ (in)	B (in)	l (in)	L (in)			pH (psi)	pS (psi)	Qty	Size	M _A (ft-lb)
1	1.000	+0	1.969	-0	1.772	1.614	2.008	12,965	540	12,022	24,886	6	M6	12.5
1 1/8	1.125	-0.0013	2.165											
1 3/16	1.188	+0	2.165	+0.0018	1.772	1.614	2.008	18,247	855	14,579	27,942	8	M6	12.5
1 1/4	1.250		2.362											
1 3/8	1.375	+0	2.362	+0.0018	1.772	1.614	2.008	19,015	990	13,363	24,132	8	M6	12.5
1 7/16	1.438		2.362											
1 1/2	1.500	-0.0015	2.559	-0	1.772	1.614	2.008	22,547	1,350	15,418	27,651	10	M6	12.5
1 5/8	1.625		2.559											
1 3/4	1.750	+0	2.953	+0.0021	1.772	1.614	2.008	34,443	2,332	19,775	35,081	8	M8	30.2
1 7/8	1.875		3.150											
1 15/16	1.938	-0.0018	3.150	-0	2.520	2.205	2.835	33,014	2,665	13,573	26,864	8	M8	30.2
2	2.000		3.150											
2 1/8	2.125	+0	3.346	+0.0021	2.520	2.205	2.835	33,981	2,832	12,778	24,494	8	M8	30.2
2 3/16	2.188		3.346											
2 1/4	2.250	-0.0018	3.543	-0	2.520	2.205	2.835	41,120	3,748	15,084	28,916	10	M8	30.2
2 3/8	2.375		3.543											
2 7/16	2.438	+0	3.740	+0.0021	2.520	2.205	2.835	41,030	4,060	14,290	26,692	10	M8	30.2
2 1/2	2.500		3.740											
2 9/16	2.563	-0.0018	3.740	-0	2.520	2.205	2.835	40,978	4,268	14,290	25,390	10	M8	30.2
2 5/8	2.625		4.331											
2 11/16	2.688	+0	4.331	+0.0021	3.071	2.756	3.465	67,507	7,384	16,282	32,798	10	M10	61.2
2 3/4	2.750		4.331											
2 7/8	2.875	-0.0018	4.331	-0	3.071	2.756	3.465	68,934	7,899	16,282	30,659	10	M10	61.2
2 15/16	2.938		4.724											
3	3.000	+0	4.724	+0.0025	3.071	2.756	3.465	80,808	9,891	17,913	35,258	12	M10	61.2
3 1/8	3.125		4.724											
3 1/4	3.250	-0.0021	4.724	-0	3.071	2.756	3.465	82,289	10,715	17,913	32,546	12	M10	61.2
3 3/8	3.375		5.118											
3 7/16	3.438	+0	5.118	+0.0025	3.071	2.756	3.465	80,589	11,333	16,534	30,771	12	M10	61.2
3 1/2	3.500		5.118											
3 5/8	3.625	-0.0021	5.118	-0	3.071	2.756	3.465	81,950	11,951	16,534	29,179	12	M10	61.2
3 3/4	3.750		5.709											
3 7/8	3.875	+0	5.709	+0.0025	3.937	3.543	4.409	120,824	18,879	17,036	32,270	12	M12	106.9
3 15/16	3.938		5.709											
4	4.000	-0.0021	6.102	-0	3.937	3.543	4.409	118,783	19,488	17,036	31,262	12	M12	106.9
4 1/4	4.250		6.102											
4 3/8	4.375	+0	6.102	+0.0025	3.937	3.543	4.409	120,366	21,315	15,939	28,582	12	M12	106.9
4 7/16	4.438		6.496											
4 1/2	4.500	-0.0025	6.496	-0	3.937	3.543	4.409	138,336	25,578	17,468	32,420	14	M12	106.9
4 3/4	4.750		6.496											
4 15/16	4.938	+0	7.087	+0.0028	4.567	4.094	5.118	163,115	32,283	15,938	29,015	12	M14	169.6
5	5.000		7.087											
5 1/4	5.250	-0.0025	7.480	-0	4.567	4.094	5.118	192,228	40,048	17,618	31,836	14	M14	169.6
5 7/16	5.438		7.480											
5 1/2	5.500	+0	7.480	+0.0028	4.567	4.094	5.118	185,179	41,955	17,618	30,389	14	M14	169.6
5 3/4	5.750		7.874											
5 15/16	5.938	-0.0025	7.874	-0	4.567	4.094	5.118	216,051	51,762	19,127	32,171	16	M14	169.6
6	6.000		8.268											
6 7/16	6.438	+0	8.858	+0.0028	5.748	5.276	6.378	308,120	77,030	18,112	32,112	16	M16	261.8
6 1/2	6.500		8.858											

SLD 2600 metric series

Ordering example:			
Brand	Model	Units	Size
SLD	2600	IN	1 3/8
SLD	2600	MM	50x80



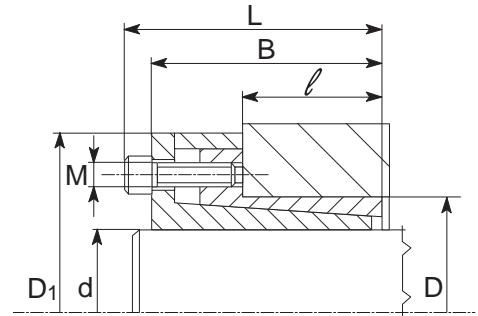
Size (in)	Shaft Locking Device Dimensions							Max. F (lbf)	Max. Mt (ft-lb)	Pressures		Locking Screws		
	d (in)	T ₁ (in)	D (in)	T ₂ (in)	B (in)	l (in)	L (in)			pH (psi)	pS (psi)	Qty	Size	M _A (ft-lb)
25x50	0.984	+0 -0.0013	1.969	-0 +0.0018	1.772	1.614	2.008	12,965	532	12,026	25,284	6	M6	12.5
30x55	1.181		2.165		1.772	1.614	2.008	20,744	851	14,576	28,094	8	M6	12.5
32x60	1.260		2.362		1.772	1.614	2.008	18,439	907	13,362	26,338	8	M6	12.5
35x60	1.378		2.362		1.772	1.614	2.008	18,907	992	13,362	24,080	8	M6	12.5
40x60	1.575	+0 -0.0015	2.362	-0 +0.0018	1.772	1.614	2.008	24,695	1,418	16,702	26,338	10	M6	12.5
45x75	1.772		2.953		1.772	1.614	2.008	35,980	2,361	19,777	34,652	8	M8	30.2
50x80	1.969		3.150		2.520	2.283	2.835	35,536	2,623	13,107	26,441	8	M8	30.2
55x85	2.165		3.346		2.520	2.283	2.835	35,181	2,886	12,336	24,037	8	M8	30.2
60x90	2.362	+0 -0.0018	3.543	-0 +0.0021	2.520	2.283	2.835	43,612	3,935	14,563	27,543	10	M8	30.2
65x95	2.559		3.740		2.520	2.283	2.835	43,310	4,263	13,796	25,424	10	M8	30.2
70x110	2.756		4.331		3.071	2.756	3.465	71,009	7,571	16,283	31,984	10	M10	61.2
75x115	2.953		4.528		3.071	2.756	3.465	70,646	8,112	15,575	29,852	10	M10	61.2
80x120	3.150		4.724		3.071	2.756	3.465	84,399	10,384	17,911	33,583	12	M10	61.2
85x125	3.346	+0 -0.0021	4.921	-0 +0.0025	3.071	2.756	3.465	84,069	11,033	17,195	31,608	12	M10	61.2
90x130	3.543		5.118		3.071	2.756	3.465	83,778	11,682	16,533	29,852	12	M10	61.2
95x136	3.740		5.354		3.071	2.756	3.465	83,520	12,331	15,804	28,281	12	M10	61.2
100x145	3.937		5.709		3.937	3.622	4.409	123,081	19,181	16,667	31,762	12	M12	106.9
110x155	4.331	+0 -0.0025	6.102	-0 +0.0028	3.937	3.622	4.409	128,620	21,099	15,592	28,875	12	M12	106.9
120x165	4.724		6.496		3.937	3.622	4.409	148,816	26,853	17,088	30,880	14	M12	106.9
130x180	5.118		7.087		4.567	4.252	5.118	169,998	33,464	15,349	27,991	12	M14	169.6
140x190	5.512	+0 -0.0025	7.480	-0 +0.0028	4.567	4.252	5.118	197,157	42,045	16,965	30,324	14	M14	169.6
150x200	5.906		7.874		4.567	4.252	5.118	224,173	51,483	18,419	32,345	16	M14	169.6
160x210	6.299		8.268		4.567	4.252	5.118	223,177	54,916	17,542	30,324	16	M14	169.6
170x225	6.693		8.858		5.748	5.354	6.378	266,987	70,075	15,615	27,026	14	M16	261.8
180x235	7.087	+0 -0.0028	9.252	-0 +0.0032	5.748	5.354	6.378	304,072	84,797	17,086	29,170	16	M16	261.8
190x250	7.480		9.843		5.748	5.354	6.378	303,134	89,508	16,061	27,635	16	M16	261.8
200x260	7.874		10.236		5.748	5.354	6.378	302,294	94,219	15,443	26,253	16	M16	261.8
220x285	8.661		11.220		5.748	5.354	6.378	394,872	129,551	17,611	29,833	20	M16	261.8
240x305	9.449		12.008		5.748	5.354	6.378	430,769	155,461	18,101	30,082	22	M16	261.8

Shaft Locking Devices



SLD 1900 inch series

d	= shaft diameter
T ₁	= tolerance of shaft
D	= outer diameter of shaft locking device
T ₂	= tolerance of hub bore
D ₁	= diameter of flange
B	= width of thrust rings (relaxed state)
l	= length of contact
L	= total width (relaxed state)
F	= maximum transmissible axial force
Mt	= maximum transmissible torque
pH	= pressure on the hub
pS	= pressure on the shaft
M _A	= screw tightening torque



Size (in)	Shaft Locking Device Dimensions								Max. F (lbf)	Max. Mt (ft-lb)	Pressures		Locking Screws		
	d (in)	T ₁ (in)	D (in)	T ₂ (in)	D ₁ (in)	B (in)	l (in)	L (in)			pH (psi)	pS (psi)	Qty	Size	M _A (ft-lb)
3/4	0.750	+0 -0.0013	1.063	-0 +0.0015	1.890	1.496	0.709	1.732	5,568	174	11,592	8,966	4	M6	12
7/8	0.875		1.260		2.126	1.772	0.984	2.008	6,496	203	7,419	6,675	4	M6	12
1 5/16	0.938		1.339		2.205	1.772	0.984	2.008	5,952	217	7,154	6,385	4	M6	12
1	1.000		1.339		2.205	1.772	0.984	2.008	5,939	232	7,154	5,985	4	M6	12
1 1/8	1.125	+0 -0.0016	1.535	-0 +0.0015	2.402	1.772	0.984	2.008	9,384	391	9,851	8,399	6	M6	12
1 3/16	1.188		1.614		2.441	1.772	0.984	2.008	8,811	413	9,692	8,231	6	M6	12
1 1/4	1.250		1.693		2.559	1.772	0.984	2.008	11,702	579	12,327	11,129	8	M6	12
1 3/8	1.375		1.850		2.717	1.969	1.181	2.205	12,230	637	9,677	8,679	8	M6	12
1 7/16	1.438	+0 -0.0016	1.969	-0 +0.0018	2.835	1.969	1.181	2.205	11,625	666	9,274	8,468	8	M6	12
1 1/2	1.500		1.969		2.835	1.969	1.181	2.205	11,603	695	9,274	8,115	8	M6	12
1 5/8	1.625		2.165		3.071	2.244	1.260	2.480	12,048	753	8,025	5,800	8	M6	12
1 11/16	1.688		2.323		3.346	2.559	1.575	2.874	18,447	1,249	9,414	8,787	8	M8	30
1 3/4	1.750	+0 -0.0018	2.323	-0 +0.0018	3.346	2.559	1.575	2.874	18,432	1,296	9,414	8,473	8	M8	30
1 7/8	1.875		2.441		3.425	2.756	1.772	3.071	19,035	1,388	8,176	8,120	8	M8	30
1 15/16	1.938		2.559		3.622	2.756	1.772	3.071	22,950	1,793	9,664	8,976	10	M8	30
2	2.000		2.795		3.858	2.953	1.969	3.071	22,929	1,851	8,165	8,917	10	M8	30
2 1/8	2.125	+0 -0.0018	2.795	-0 +0.0021	3.858	2.953	1.969	3.268	23,604	1,967	8,165	8,392	10	M8	30
2 3/16	2.188		3.031		4.094	2.953	1.969	3.268	22,859	2,024	7,694	8,331	10	M8	30
2 3/8	2.375		3.031		4.094	2.953	1.969	3.268	24,115	2,198	7,694	7,673	10	M8	30
2 7/16	2.438		3.307		4.370	2.953	1.969	3.268	22,797	2,256	7,209	7,643	10	M8	30
2 1/2	2.500	+0 -0.0018	3.307	-0 +0.0021	4.370	2.953	1.969	3.268	22,784	2,314	7,209	7,452	10	M8	30
2 5/8	2.625		3.543		4.685	3.583	2.362	3.976	37,997	3,958	9,131	10,716	10	M10	60
2 3/4	2.750		3.543		4.685	3.583	2.362	3.976	37,915	4,147	9,131	10,229	10	M10	60
2 7/8	2.875		3.740		4.961	3.583	2.362	3.976	37,833	4,335	8,623	8,012	10	M10	60
2 15/16	2.938	+0 -0.0018	3.740	-0 +0.0021	4.961	3.583	2.362	3.976	36,981	4,430	8,623	7,841	10	M10	60
3	3.000		3.740		4.961	3.583	2.362	3.976	36,962	4,524	8,623	7,247	10	M10	60

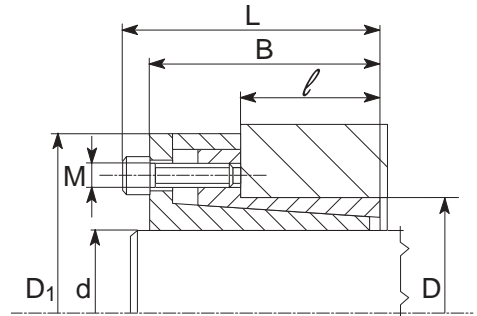
Shaft Locking Devices



SLD 1900 metric series

Ordering example:

Brand	Model	Units	Size
SLD	1900	IN	1 3/8
SLD	1900	MM	50x65



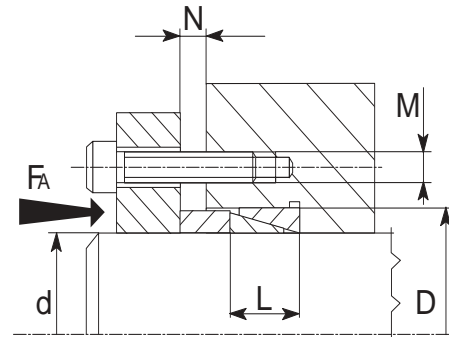
Size	Shaft Locking Device Dimensions								Max. F (lbf)	Max. Mt (ft-lb)	Pressures		Locking screws		
	d (in)	T ₁ (in)	D (in)	T ₂ (in)	D ₁ (in)	B (in)	I (in)	L (in)			pH (psi)	pS (psi)	Qty	Size	M _A (ft-lb)
6x14	0.236		0.551		0.984	0.846	0.354	0.965	1,049	10	13,779	14,939	4	M3	1.50
8x15	0.315	+0	0.591		1.063	0.984	0.472	1.142	2,098	21	14,649	15,084	3	M4	3.70
9x16	0.354	-0.0009	0.630		1.102	0.984	0.551	1.220	2,304	30	15,664	17,840	4	M4	3.70
10x16	0.394		0.630	+0.0011	1.142	1.024	0.551	1.181	2,298	34	15,664	15,954	4	M4	3.70
11x18	0.433		0.709		1.260	1.024	0.551	1.181	2,248	37	13,924	14,504	4	M4	3.70
12x18	0.472		0.709		1.260	1.024	0.551	1.181	2,248	41	13,924	12,763	4	M4	3.70
14x23	0.551	+0	0.906		1.496	1.024	0.551	1.181	2,398	47	10,878	10,878	4	M4	3.70
15x24	0.591	-0.0011	0.945		1.732	1.417	0.630	1.654	4,593	105	19,145	14,794	4	M6	11.1
16x24	0.630		0.945		1.732	1.417	0.630	1.654	4,556	112	19,145	13,924	4	M6	11.1
17x25	0.669		0.984	+0.0013	1.772	1.417	0.630	1.654	4,552	119	18,275	13,053	4	M6	11.1
18x26	0.709		1.024		1.850	1.496	0.709	1.732	5,422	151	18,710	14,794	4	M6	12.5
19x27	0.748		1.063		1.890	1.496	0.709	1.732	5,420	160	18,130	14,069	4	M6	12.5
20x28	0.787		1.102		1.929	1.496	0.709	1.732	5,395	168	17,405	13,343	4	M6	12.5
22x32	0.866	+0	1.260		2.126	1.772	0.984	2.008	5,643	185	11,023	10,008	4	M6	12.5
24x34	0.945	-0.0013	1.339		2.205	1.772	0.984	2.008	5,600	202	10,298	9,137	4	M6	12.5
25x34	0.984		1.339		2.205	1.772	0.984	2.008	5,339	210	10,298	8,847	4	M6	12.5
28x39	1.102		1.535		2.402	1.772	0.984	2.008	8,615	353	13,489	11,748	6	M6	12.5
30x41	1.181		1.614	+0.0015	2.441	1.772	0.984	2.008	8,238	378	12,908	11,023	6	M6	12.5
32x43	1.260		1.693		2.559	1.772	0.984	2.205	10,941	538	16,389	12,183	8	M6	12.5
35x47	1.378		1.850		2.717	1.969	1.181	2.205	11,212	589	12,473	11,168	8	M6	12.5
38x50	1.496		1.969		2.835	1.969	1.181	2.205	11,125	639	11,748	10,298	8	M6	12.5
40x53	1.575	+0	2.087		2.953	1.969	1.181	2.205	10,791	673	11,023	9,718	8	M6	12.5
42x55	1.654	-0.0015	2.165		3.071	2.244	1.260	2.480	19,727	1294	18,275	12,908	8	M8	30.2
45x59	1.772		2.323		3.346	2.559	1.575	2.874	20,126	1387	13,634	12,183	8	M8	30.2
48x62	1.890		2.441	+0.0018	3.425	2.756	1.772	3.071	20,033	1479	11,458	10,443	8	M8	30.2
50x65	1.969		2.559		3.622	2.756	1.772	3.071	24,457	1926	13,779	12,618	10	M8	30.2
55x71	2.165		2.795		3.858	2.953	1.969	3.268	25,826	2118	11,313	10,588	10	M8	30.2
60x77	2.362		3.031		4.094	2.953	1.969	3.268	25,612	2311	10,443	9,718	10	M8	30.2
65x84	2.559	+0	3.307		4.370	2.953	1.969	3.268	25,433	2503	9,573	8,992	10	M8	30.2
70x90	2.756	-0.0018	3.543		4.685	3.583	2.362	3.976	40,244	4291	11,893	13,198	10	M10	61.2
75x95	2.953		3.740		4.961	3.583	2.362	3.976	40,035	4597	11,168	10,153	10	M10	61.2
80x100	3.150		3.937	+0.0021	5.157	3.780	2.559	4.173	47,827	5884	11,748	10,733	12	M10	61.2
85x106	3.346		4.173		5.394	3.780	2.559	4.173	47,643	6252	11,168	10,153	12	M10	61.2
90x112	3.543		4.409		5.630	3.780	2.559	4.173	59,350	8275	13,198	12,038	15	M10	61.2
95x120	3.740	+0	4.724		6.024	3.780	2.559	4.173	59,165	8735	12,328	11,313	15	M10	61.2
100x125	3.937	-0.0021	4.921		6.378	4.016	2.559	4.488	68,924	10741	13,779	11,893	12	M12	107
110x140	4.331		5.512	-0	7.087	5.039	3.543	5.512	72,024	11815	8,847	8,412	12	M12	107
120x155	4.724		6.102	+0.0025	7.795	5.039	3.543	5.512	71,428	12889	7,977	7,687	12	M12	107
130x165	5.118		6.496		8.189	5.039	3.543	5.512	94,577	18618	10,008	9,427	16	M12	107

Shaft Locking Devices



SLD 350 series

d = shaft diameter
 T_1 = tolerance of shaft
 D = outer diameter of shaft locking device
 T_2 = tolerance of hub bore
 L = total width (relaxed state)
 N = recommended distance to clamp flange
 F = maximum transmissible axial force
 M_t = maximum transmissible torque
 p_H = pressure on the hub
 p_S = pressure on the shaft
 F_A = preload force required to generate M_t



Size (mm)	Shaft Locking Device Dimensions					Distance N (in)				Max. F (lbf)	Max. M_t (ft-lb)	Pressures		F_A (lb)
	d (in)	T_1 (in)	D (in)	T_2 (in)	L (in)	number of elements						p_H (psi)	p_S (psi)	
						1	2	3	4					
6x9	0.236		0.354	-0	0.177	0.118	0.118	0.118	0.157	176	1.73	10,878	15,954	899
7x10	0.276		0.394	+0.0006	0.177	0.118	0.118	0.118	0.157	220	2.53	12,473	15,954	1,124
8x11	0.315	+0	0.433		0.177	0.118	0.118	0.118	0.157	265	3.47	13,053	15,664	1,349
9x12	0.354	-0.0003	0.472		0.177	0.118	0.118	0.118	0.157	309	4.56	13,053	15,954	1,574
10x13	0.394		0.512	-0	0.177	0.118	0.118	0.118	0.157	344	5.64	14,504	16,244	1,754
12x15	0.472		0.591	+0.0007	0.177	0.118	0.118	0.118	0.157	410	8.07	13,053	16,099	2,091
13x16	0.512		0.630		0.177	0.118	0.118	0.118	0.157	463	9.88	13,053	16,099	2,360
14x18	0.551		0.709		0.248	0.118	0.157	0.157	0.197	683	15.7	13,053	16,099	3,485
15x19	0.591	-0.0004	0.748		0.248	0.118	0.157	0.157	0.197	736	18.1	13,053	16,099	3,754
16x20	0.630		0.787		0.248	0.118	0.157	0.157	0.197	828	21.7	13,053	16,099	4,002
17x21	0.669		0.827		0.248	0.118	0.157	0.157	0.197	816	22.7	13,053	16,099	4,159
18x22	0.709		0.866		0.248	0.118	0.157	0.157	0.197	931	27.5	13,053	16,099	4,496
19x24	0.748		0.945	-0	0.248	0.118	0.157	0.157	0.197	982	30.6	13,053	16,099	4,743
20x25	0.787		0.984	+0.0008	0.248	0.118	0.157	0.157	0.197	1,033	33.9	13,053	16,099	4,991
22x26	0.866		1.024		0.248	0.118	0.157	0.157	0.197	1,135	41.0	13,053	16,099	5,485
24x28	0.945	+0	1.102		0.248	0.118	0.157	0.157	0.197	1,582	62.3	14,504	20,595	7,644
25x30	0.984	-0.0005	1.181		0.248	0.118	0.157	0.157	0.197	1,238	50.8	14,504	15,519	5,980
28x32	1.102		1.260		0.248	0.118	0.157	0.157	0.197	1,447	66.5	14,504	16,099	6,992
30x35	1.181		1.378		0.248	0.118	0.157	0.157	0.197	1,550	76.3	14,504	16,099	7,486
32x36	1.260		1.417		0.248	0.118	0.157	0.157	0.197	1,652	86.7	14,504	16,099	7,981
35x40	1.378	+0	1.575	-0	0.276	0.118	0.157	0.157	0.197	2,048	118	14,504	16,099	9,892
36x42	1.417	-0.0006	1.654	+0.0010	0.276	0.118	0.157	0.157	0.197	2,011	119	14,504	16,099	10,251
38x44	1.496		1.732		0.276	0.157	0.197	0.197	0.236	2,225	139	14,504	16,099	10,746
40x45	1.575		1.772		0.315	0.157	0.197	0.197	0.236	2,574	169	14,504	16,099	12,432
42x48	1.654	+0	1.890		0.315	0.157	0.197	0.197	0.236	2,704	186	14,504	16,099	13,061
45x52	1.772	-0.0015	2.047		0.394	0.157	0.197	0.197	0.236	3,774	279	14,504	16,099	18,232
48x55	1.890		2.165		0.394	0.157	0.197	0.197	0.236	4,026	317	14,504	16,099	19,446
50x57	1.969		2.244		0.394	0.157	0.197	0.197	0.236	4,193	344	14,504	16,099	20,255
55x62	2.165		2.441	-0	0.394	0.157	0.197	0.197	0.236	4,612	416	14,504	16,099	22,279
56x64	2.205		2.520	+0.0012	0.472	0.157	0.197	0.236	0.276	5,048	464	14,504	16,099	25,741
60x68	2.362		2.677		0.472	0.157	0.197	0.236	0.276	6,097	600	14,504	16,099	29,450
65x73	2.559	+0	2.874		0.472	0.157	0.197	0.236	0.276	6,609	705	14,504	16,099	31,923
70x79	2.756	-0.0018	3.110		0.551	0.157	0.197	0.236	0.276	8,331	957	14,504	16,099	40,241
75x84	2.953		3.307		0.551	0.157	0.197	0.236	0.276	8,936	1,099	14,504	16,099	43,163
80x91	3.150		3.583		0.669	0.197	0.236	0.276	0.315	11,682	1,533	14,504	19,870	56,427
85x96	3.346		3.780	-0	0.669	0.197	0.236	0.276	0.315	11,746	1,638	14,504	16,099	59,889
90x101	3.543		3.976	+0.0014	0.669	0.197	0.236	0.276	0.315	13,171	1,945	14,504	16,099	63,621
95x106	3.740	+0	4.173		0.669	0.197	0.236	0.276	0.315	14,021	2,185	14,504	16,099	71,489
100x114	3.937	-0.0021	4.488		0.827	0.197	0.236	0.315	0.354	18,244	2,993	13,053	16,099	88,125
110x124	4.331		4.882		0.827	0.197	0.236	0.315	0.354	20,059	3,620	13,053	16,099	96,893
120x134	4.724		5.276	-0	0.827	0.197	0.236	0.315	0.354	21,874	4,306	13,053	16,099	105,660
130x148	5.118	+0	5.827	+0.0016	1.102	0.236	0.276	0.354	0.433	32,066	6,838	13,053	16,099	154,893
140x158	5.512		6.220		1.102	0.236	0.276	0.354	0.433	34,533	7,931	13,053	16,099	166,808
150x168	5.906	-0.0025	6.614		1.102	0.236	0.276	0.354	0.433	36,999	9,104	13,053	16,099	178,723

Installation:

- Carefully clean and lightly oil* the locking device, shaft, and bore.
- Slide on the locking device.
- Slide on the customer supplied clamp flange.
- Lightly oil* the customer supplied locking screw threads.
- Hand tighten the locking screws.
- Gradually tighten the locking screws in a diametrically opposed sequence until the calculated screw tightening torque is reached.

Removal:

- Remove any rust or other contaminants in front of the hub.
- Gradually loosen the locking screws in a diametrically opposite order.
- Remove the hub and locking device from the shaft.
- If the locking device is stuck, loosen by lightly tapping with a hammer.

Note: Locking devices can be provided with a slit that allows the device to be expanded or contracted to accommodate many inch size shafts.

* Note: Do not use Molybdenum Disulfide lubricant.

Applications

bevel gears	gearboxes, reducers, and gear motors	pulp industry: drive rolls\cylinders
braiding machines	graphic machines	pump impellers\turbine rotors
brake drums	helical gears	rolls
cardboard making machines	industrial sewing machines	section bar machines
carpet making machines	lamination machines	shaker screens
chocolate making machines	levers\cams	sheaves
clutches	meat & fish processing machines	ski lifts
compressors	mechanical presses	speed reducers
conveyor pulleys	milk processing machines	sprockets
conveyors	milling & drilling machines	thermal pumps
couplings	mixer shafts	tobacco machines
crushers	moving sidewalks	vegetable-oil refining machines
fans	packaging machinery	weaving machines
flanges	pasta machines	winches
flywheels	printing machinery	wind generators
footwear machines		worm gears

Installation:

(models 1500, 1350,1450,1750,1850, 2600, 1900)

1. Clean and lightly oil* all contact surfaces, including the locking screws, shaft and hub bore.
2. Insert the shaft locking device into the hub bore and onto the shaft, aligning them as required.
3. Hand tighten 3 or 4 equally spaced locking screws while making sure the assembly is parallel to the shaft, then hand tighten the remaining locking screws.
4. Use a torque wrench to gradually tighten all locking screws in diametrically opposite sequence. You will need to tighten all locking screws more than once until the specified screw tightening torque M_A is reached.
6. Verify that the screws are tightened to the specified tightening torque.

Removal:

Note: Prior to loosening any locking screws, ensure that no torque or thrust loads are acting on the shaft, hub, or locking device.

1. Gradually loosen the locking screws.
2. a. The 1500 is self releasing, and should release on its own. If necessary, lightly tap on the screws to loosen the rear locking ring, and if the front locking ring is stuck, insert pullout screws of the next larger size into the threaded holes under the silver-plated screws and lightly tap on them in an outward direction to loosen.
b. The 1350,1450,1750 and 1850 models require removal of the screws and insertion in the threaded release holes to press off the outer ring.
c. The 2600 requires a repeat of step “b” using the release holes on the central flange to remove the rear ring.

* Note: Do not use Molybdenum Disulphide lubricant.

Information request

Fax to: (630) 852-2120

From:

Name: _____
Company: _____
Address: _____
City, State Zip _____

Phone # _____ Fax # _____

E-Mail: _____

Please provide the following information:

Application: _____

Locking Style desired:

- Internal
- External
- Unknown

Physical characteristics:

Shaft Diameter	_____	In / mm (Circle one)	Inner diameter (if hollow)	_____	In / mm (Circle one)
Shaft speed	_____	RPM	Shaft material	_____	
Horsepower	_____		Yield point	_____	PSI / MPa (Circle one)
Hub outer diameter	_____	In / mm (Circle one)	Hub bore	_____	In / mm (Circle one)
Operating temperature	_____	°F or °C (Circle one)	Hub material or yield point	_____	PSI / MPa (Circle one)
Torque required	_____	ft-lbs or Nm (Circle one)	Length thru bore	_____	in or mm (Circle one)

Additional information:

Please attach a drawing or sketch if possible.

Other Considerations

- Minimum outer diameter of hub

The hub must be of a size to withstand the pressure exerted by the Shaft Locking Device without yielding. Use the following equations to determine the minimum hub diameter (Dmin) required.

$$D_{min} = D \times \sqrt{\frac{Yp + (f \times pH)}{Yp - (f \times pH)}}$$

Where: D = Hub bore (inches)
 Yp = Yield point of hub material (psi)
 f = Form factor (see figure 1.)
 pH = Contact pressure on the hub (psi)

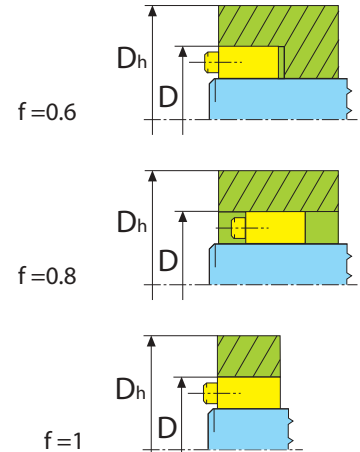


Figure 1.

- Combined torque and axial loads

If an axial load is present, then the resulting torque that can be transmitted needs to be adjusted as follows:

$$M_{t \text{ Result}} = \sqrt{M_t^2 + \left(\frac{F \times d}{24}\right)^2}$$

Where: d = shaft diameter (inches)
 Mt = maximum torque for device (ft-lbs)
 F = force (lbf)

- Coefficients of friction and surface finish

Lovejoy SLD uses $\mu = 0.12$ which corresponds to a slightly oiled surface

$$\sqrt[63]{\text{}} = 63 \mu\text{IN RMS for surface finish}$$

- Duty factor

The values Mt and F must be adjusted with a duty factor depending on the setup:

Motor type	Load		
	Constant	Light overloads	Heavy overloads
Electric	1	1.5	2
Combustion	1.5	2	2.5

- Multiple Shaft Locking Devices used in series

If more than one Shaft Locking Device is used, the transmissible torque must be reduced by the following factors:

Shaft Locking Device	Number of devices in series		
	2	3	4
SLD 1500	.80	.75	.70
SLD 1850	.80	.75	.70
SLD 1350	.80	.75	.70
SLD 2600	.85	Not recommended	

IMPORTANT SAFETY INSTRUCTIONS WARNING



- When using Lovejoy SLD products, you must follow these instructions and take the following precautions. Failure to do so may cause the power transmission product to break and parts to be thrown with sufficient force to cause severe injury or death.
 - Refer to this Lovejoy SLD Catalog for proper selection, sizing, horsepower, torque range, and speed range of power transmission products. Follow the installation instructions included with the product, and in the individual product Flyers for proper installation of power transmission products. Do not exceed catalog ratings.
 - During start up and operation of power transmission product, avoid sudden shock loads. Shortly after initial operation and periodically thereafter, where applicable, inspect shaft locking device for alignment, slippage, and bolt torques. Do not operate machinery if alignment is improper, or slippage is occurring.
- Do not use any of these shaft locking devices for elevators, man lifts, or other devices that carry people. If the power transmission product fails, the lift device could fall resulting in severe injury or death.
- For all power transmission products, you must install suitable guards in accordance with OSHA and American Society of Mechanical Engineers Standards. Do not start power transmission product before suitable guards are in place. Failure to properly guard these products may result in severe injury or death from personnel contacting moving parts or from parts being thrown from assembly in the event the power transmission product fails.
- If you have any questions, contact the Lovejoy Engineering Department at 1-630-852-0500.

Lovejoy SLD warrants all products it manufactures to be of good material and workmanship and to be free of defects if properly installed and operated. REMEDY FOR BREACH OF THIS WARRANTY IS EXPRESSLY LIMITED TO REPLACEMENT OF DEFECTIVE PARTS, AS HEREINAFTER SET FORTH, LOVEJOY SLD EXPRESSLY DISCLAIMS ALL CLAIMS FOR INCIDENTAL AND CONSEQUENTIAL DAMAGES ARISING FROM ANY BREACH OF THIS WARRANTY. Any product which, under normal use and service, is proven to breach the warranty contained herein within ONE YEAR from date of sale will, upon examination by Lovejoy SLD be replaced free F.O.B. Downers Grove, IL. In all cases, transportation costs and charges for returned goods shall be paid for by the purchaser, Lovejoy SLD hereby disclaims all responsibility for such transportation cost and charges. This warranty will not be breached, and Lovejoy SLD will give no credit for products it manufacturers which shall have received normal wear and tear, been damaged, improperly installed, repaired or altered outside of Lovejoy SLD's factory.

THE ABOVE-DESCRIBED WARRANTY IS EXPRESSLY IN LIEU OF ALL OTHER WARRANTIES, EXPRESSED OR IMPLIED, AND ALL OTHER WARRANTIES ARE HEREBY EXPRESSLY DISCLAIMED, INCLUDING WITHOUT LIMITATION THE IMPLIED WARRANTY OF MERCHANTABILITY AND THE IMPLIED WARRANTY OF FITNESS FOR A PARTICULAR PURPOSE. LOVEJOY SLD EXPRESSLY DISCLAIMS ALL LIABILITY FOR SPECIAL, CONSEQUENTIAL OR INCIDENTAL DAMAGES, WHETHER ARISING IN TORT OR BY CONTRACT. LOVEJOY SLD FURTHER DISCLAIMS ALL LIABILITY FROM PERSONAL INJURY RELATING TO ITS PRODUCTS TO THE EXTENT PERMITTED BY LAW. BY ACCEPTANCE OF ANY OF LOVEJOY SLD'S EQUIPMENT OR PRODUCTS, THE PURCHASER ASSUMES ALL LIABILITY FOR THE CONSEQUENCES ARISING FROM THEIR USE OR MISUSE. NO PERSON, FIRM OR CORPORATION IS AUTHORIZED TO ASSUME FOR LOVEJOY SLD ANY OTHER LIABILITY IN CONNECTION WITH THE SALE OF ITS PRODUCTS. FURTHERMORE, NO PERSON, FIRM OR CORPORATION IS AUTHORIZED TO MODIFY OR WAIVE THE TERMS OF THIS PARAGRAPH, AND THE PRECEDING PARAGRAPH, UNLESS DONE IN WRITING AND SIGNED BY A DULY AUTHORIZED AGENT OF LOVEJOY SLD.

Note: Specifications are subject to change without notice, and without liability therefore.

Lovejoy SLD
A Division of Lovejoy, Inc.
2655 Wisconsin Avenue
Downers Grove, IL 60515
Phone: (630) 852-0500
Fax: (630) 852-2120
E-Mail: info@Lovejoy-inc.com

WWW.LovejoySLD.com

Lovejoy® is a registered trademark of Lovejoy, Inc. All other trademarks, brands, and names are the property of their respective owners.