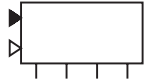




**OL-One-line distributor
VOE-B**



Use:

In OL[®]-lubrication systems following the one-line system

Technical data:

Operating pressure air
 max.: 10 bar
 min.: Outlet pressure + 1 bar

Operating pressure oil
 max.: 45 bar
 min.: Outlet pressure + 20 bar

Relief pressure oil: < 1,2 bar

Medium: Mineral oil

Viscosity: up to 3000 mm²/s

Temperature range
 with gasket material
 Perbunan: -20 ... +80 °C
 Viton: -20 ... +160 °C

Note on dimensional drawing:

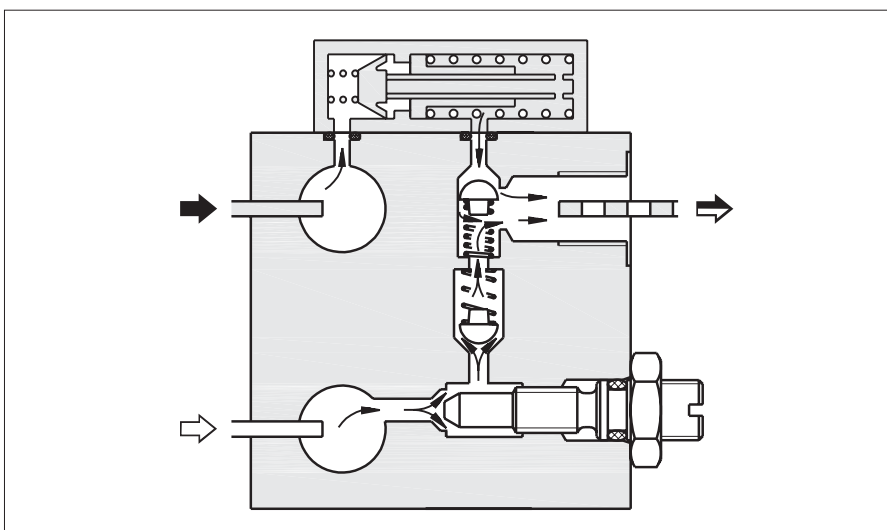
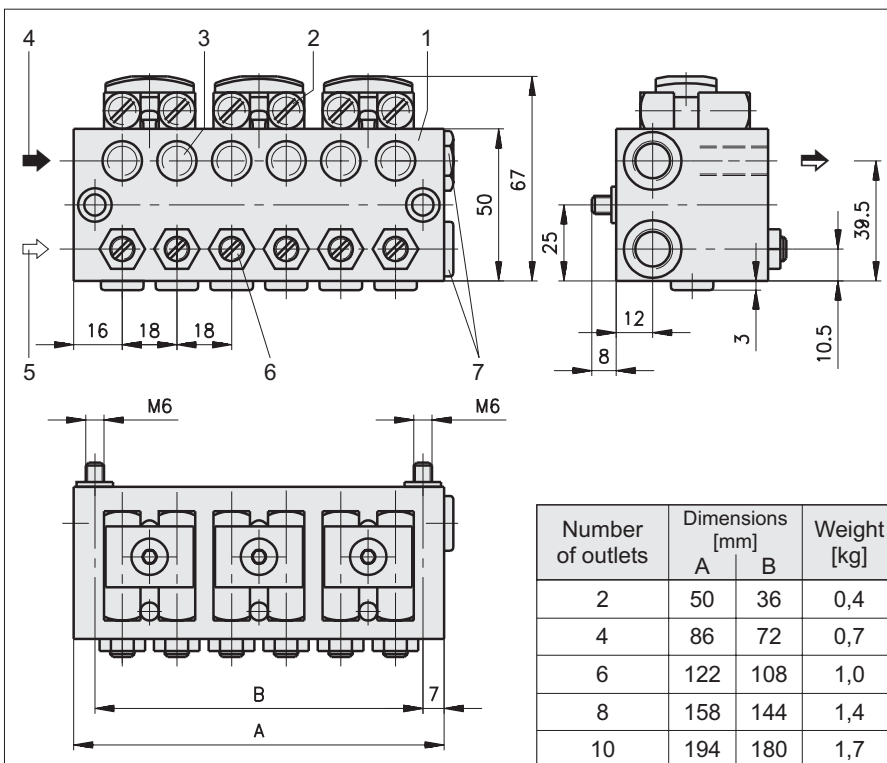
- Item
- 1 Distributor casing
 - 2 Metering element
 - 3 Outlet G 1/8
 - 4 Oil connector G 1/4
 - 5 Compressed-air supply G 1/4
 - 6 Air adjustment screw
 - 7 Lock screw
(available for versions with one-sided main line connections only)

Mode of operation:

The distributor leads the lubricant volumes supplied by the metering elements to the various outlets separately. Every outlet an air adjustment screw is assigned to. Such screw enables the required compressed-air volume to be adjusted.

Outlets, which are not needed, can be provided with dummy elements (DEB-D/O/V). The outlet orifice should be closed by means of protective plug (WOERNER-purch.-no. 914.700-04).

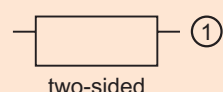
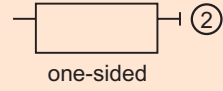
For metering element functional scheme see back page, please!



- Subject to modifications -

Purchase-designation:



Outlets Number	Main line connection	Metering volume per point [mm ³]	Gasket material	
②	 ① two-sided	0 ①	NBR (Perbunan) Ⓟ	
④		22 ②		
⑥		34 ③		
⑧	 ② one-sided	57 ④		FPM (Viton) Ⓥ
⑩		110 ⑤		
		170 ⑥		
	230 ⑦			

Purchase-example:

OL-One-line distributor VOE-B with 4 outlets, main line connections one-sided, and metering volumes of 22; 57; 110; 230 mm³, gasket material Perbunan.

Purchase-designation:

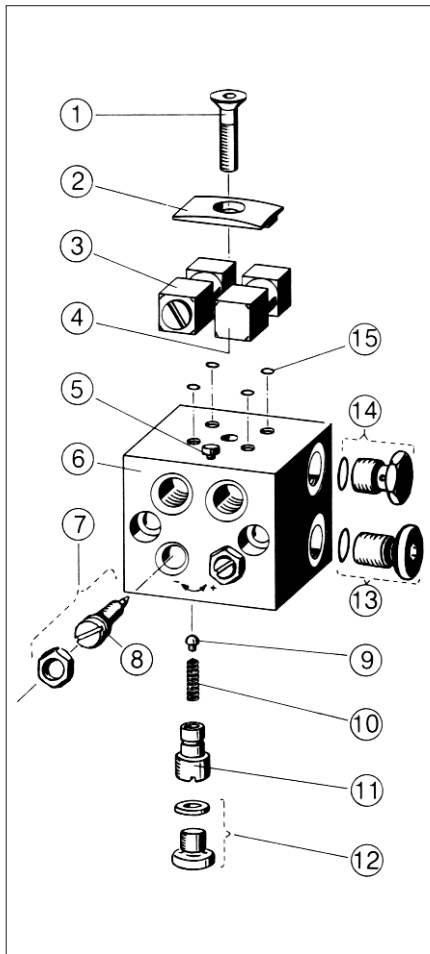
OL-One-line distributor
VOE-B/4/2-2/4/5/7/P

Purchase-designation:

Metering element **DEB-D/5/P**

Purchase-designation:

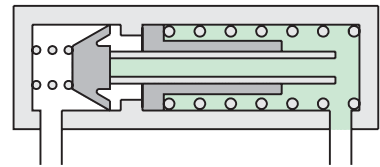
Dummy element **DEB-D/O/P**



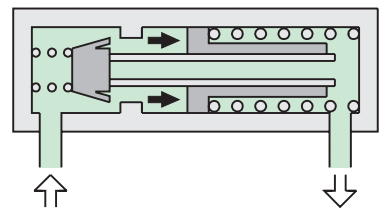
Spare parts:

Item	Designation	Purchase-no.
1	Countersunk screw	807.991-12
2	Tensioning clip	160.207-45
3	Metering element DEB-D/.../ incl. item 15	see purch.-des.
4	Dummy element DEB-D/O/ incl. item 15	see purch.-des.
5	Stopper plug	160.252-45
6	Block 2-point 4-point 6-point 8-point 10-point	165.051-25 165.061-25 165.062-25 165.063-15 165.064-15
7	Throttle screw incl. item 8	165.337-65
8	O-ring 4,47 x 1,78	915.200-33
9	Valve mushroom	915.400-20
10	Pressure spring	911.201-17
11	Check valve complete	165.075-65
12	Lock screw G 1/8 complete	179.015-65
13	Lock screw G 1/4 complete	500.018-65
14	Vent screw complete	165.167-64
15	O-ring 2,5 x 1,2 Perbunan Viton	915.200-09 915.200-10

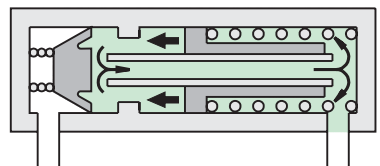
Functional scheme:



Idle position



Lubricant delivery and pressure build-up. Metered lubricant volume is allocated.



Pressure relief at inlet.
Lubricant in metering element is rearranged.

- Subject to modifications -