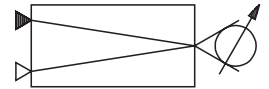


Mixing nozzle  
(Round spray)

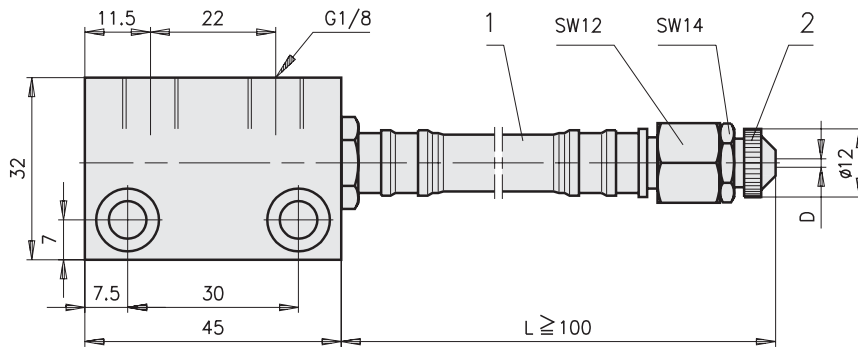


Type SBB-A/A straight version  
Type SBB-A/B angled version

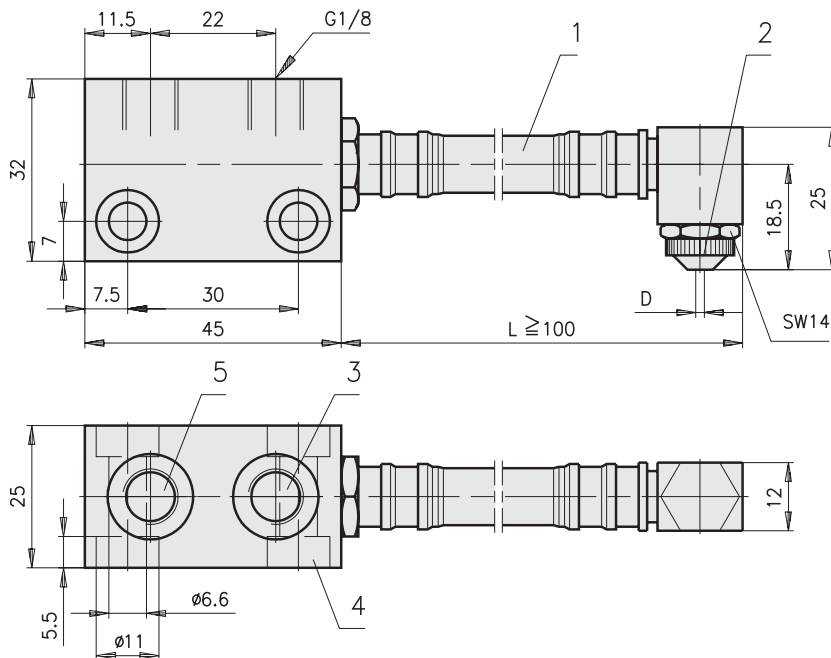
### Application:

Mixing nozzles are used for spraying of oil and grease. Other spray media by request.

### Type SBB-A/A



### Type SBB-A/B



### Technical data:

Spray medium:	
Oil	up to 23000 mm <sup>2</sup> /s
Grease	up to NLGI-class 3
Nozzle drilling D:	
for oil	1,0 mm
for grease	1,5 mm
Operating temperature:	
with polyamid tube	0...80°C
with teflon tube	0...230°C
Bearing lengths:	L = 100 mm
	L = 150 mm
	L = 300 mm

At low temperatures the operating penetration of the grease must be taken into account.

### Instruction to dimensional drawing:

- Item
- 1 Nozzle tube with nozzle  
external tube polyamid or teflon
  - 2 Air hood, adjustable
  - 3 Air connection
  - 4 Connection block
  - 5 Spray media connection

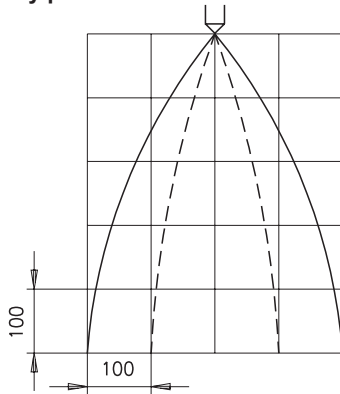
### Operation:

Air and lubricant are supplied by separate inlets and are united not before the nozzle. Due to the flexible conduction the nozzle head can be bended into the best spraying position where it persists in.

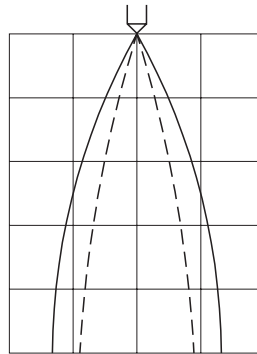
- Subject to modifications -



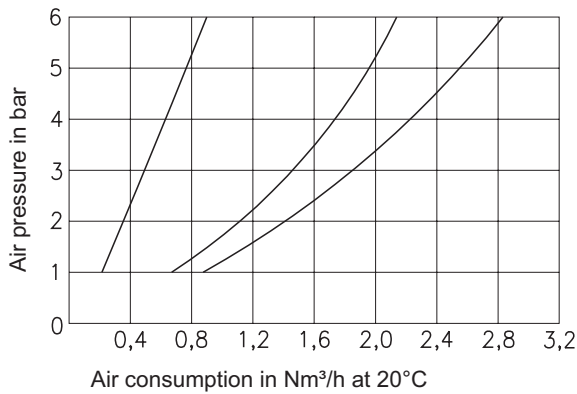
**Spray patterns:**



Lubricant: oil 120 mm<sup>2</sup>/s  
Air pressure 1 bar  
—— = Air hood opened about 1 rotation  
----- = Air hood opened about 1/4 rotation



Air hood opened about 1 rotation    Opened about 1/4 rotation  
Lubricant: grease, NLGI class 0  
(sprayable from 1 bar air pressure on)  
—— = Air pressure 5 bar  
----- = Air pressure 1 bar



Air consumption dependent on air pressure and opening of the air hood with 1/4, 1/2 and 1 rotation.

No spraying when the air hood is closed.

- Subject to modifications -

**Order-designation:** Mixing nozzle



Spray head	Nozzle drilling [mm]	Length L [mm]	Tube material
(A) straight version	(1,0) (for oil)	(100)  (150)	(P) Polyamid
(B) Angled version	(1,5) (for grease)	(300)	(T) Teflon

**Ordering-example:**

Mixing nozzle SBB-A/A straight version, for oil (nozzle drilling 1 mm), tube material polyamid (0...80°C)

**Order-designation:**

Mixing nozzle SBB-A/A / 1,0 / 300 / P